

SECTION - 1

**NOTICE INVITING TENDER**

**U.P.STATE BRIDGE CORPORATION LTD.**

16, Madan Mohan Malviya Marg,Lucknow

Sealed tenders are invited for Composite Steel Girder (Procurement, Fabrication & Transportation, Erection, Launching etc.) complete in all respect at **Construction/ Modification of Existing R.O.B & Approach Road near Administrative building of JNPT at JNPT,Navi Mumbai, Maharashtra** who have registered with <http://etender.up.nic.in> for Composite Steel Girder (Procurement, Fabrication & transportation, Erection, Launching etc.) complete as per Tender document published and processed through <http://etender.up.nic.in>.

Bid must be accompanied by non-refundable fee of Rs. 10000+18% GST = Rs. 11800.00 as tender document fee, in the form of Bank Guarantee/Fixed Deposit Receipt of a scheduled commercial bank, for amount indicated in favor of "U.P. State Bridge Corporation Ltd., Payable at Ulwe, Navi Mumbai. Prospective bidder may seek any information regarding the bids from the office of **Chief Project Manager (Mumbai)** U.P. State Bridge Corporation Ltd. 16, Madan Mohan Malviya Marg,Lucknow on any working day between 10 A.M. to 5.00 P.M. Set of bidding documents will be available online on website <http://etender.up.nic.in> from **10:30 A.M. of 27.11.2018 to 5:00 P.M. of 10.12.2018**

(Sandeep Gupta)

**Chief Project Manager (Mumbai)**

**Not For Publication**

**Copy to the followings for information:-**

1. Project Manager, B.C.U. Mumbai.
2. Notice Board, Office Mumbai.

**Chief Project Manager (Mumbai)**

**Office of the Chief Project Manager (Mumbai),  
U.P. State Bridge Corporation Ltd.,  
Lucknow**

**Notice Inviting Tenders**

**No. 53 /CPM(Mumbai)/JNPT/2018**

**Dated: 26 /11/2018**

- 1 The Chief Project Manager (Mumbai.), U.P.S.B.C. Ltd., Lucknow on behalf of Managing Director, U.P. S.B.C. Ltd., Lucknow invites the bids only in percent rate method for all items from the eligible and approved Contractors registered with UPSBC/ UPPWD/R.D.S.O./Indian Railway/CPWD and having relevant experience as defined in the General/Technical conditions. **The Bidder may submit bids for any or all of the works. Bidders are advised to note the minimum qualification criteria specified in the Instructions to Bidders to qualify for the award of the contract.**

2.

Sl. No.	District	Name of work	Estimated Cost (Rs.)	Bid Security (Rs.)	Cost of Bid Document	Time of Completion	Address of Project Manager	Address of Chief Project Manager (Mumbai.)
1	2	3	4	5	6	7	8	9
1-	Navi Mumbai	Composite Steel Girder (Procurement, Fabrication & transportation, Erection, Launching etc.) complete in all respect for the Construction/ Modification of Existing R.O.B & Approach Road near Administrative building of JNPT at JNPT, Navi Mumbai, Maharashtra  (As per BOQ)	Rs. 8,00,00,000.00	Rs. 8,00,000.00	10000.00 + GST 18% = Rs.11800.00	90 days	Flat No-603, Plot No-25, Tejas Symphony, Sector-9, Ulwe, Navi Mumbai-410206	U.P.State Bridge Corporation Ltd. 16, M.M.M.Marg, Lucknow-226001

- 3 Time allowed for completion of work is 90 Days.**
- 4 The bids shall remain valid for acceptance for a period of 30 (Thirty) days from the last date of submission of bids. Bids once submitted cannot be withdrawn.
- 5 Bids must be accompanied by non-refundable fee as indicated in Column 6 of the above table, in the form of Bank Guarantee/Fixed Deposit Receipt of a scheduled commercial bank, for amount indicated in favour of "**U.P. State Bridge Corporation Limited**", payable at Ulwe, Navi Mumbai. A set of bidding documents will be available online on website <http://etender.up.nic.in>.
- 6 Bids can be downloaded only from date 27.11.2018 on 10:30 AM to 10.12.2018 upto 05.00 PM. The technical bids will be opened online on date 10.12.2018 at 05:30 PM. If the office happens to be closed on the date of opening of the bids as specified, the bids will be opened online on the next working day respectively, at the same time and validity of bid will be considered from the original date. The date and time of opening of the financial bid shall be notified on website. The Financial bids shall be accordingly opened online.
- 7 Bids must be accompanied with EMD of the amount specified for the work in the table. EMD will have to be in any one of the forms as specified in the bidding document and shall be valid for 90 days beyond the validity of the bid. EMD should be pledged in favour of "**U.P. State Bridge Corporation Limited, Payable at Ulwe, Navi Mumbai**" in the form of FDR/ Bank Guarantee.
- 8 Bidder has to upload and submit Tender documents all affidavits as per clause 4 of I.T.B., Tender Cost, Earnest Money and all certificates in original in the office of the Chief Project Manager (Mumbai.), 16, Madan Mohan Malviya Marg, Lucknow after opening of Technical Bid.
- 9 In case of any discrepancy between the downloaded bid document and that available with the concerned Project Manager/ Chief Project Manager (Mumbai.), the bid document available in the office would be considered authentic
- 10 A bidder shall not be permitted to bid for works in the Zone responsible for award and execution of contracts in which his or his spouse's near relatives (defined as first blood relations, and their spouses) is posted as Divisional Accountant or as an officer in any capacity between the grades of Superintending Engineer and Junior Engineer (both inclusive)

- 11 No Engineer of gazetted rank or other Gazetted officer employed in Engineering or Administrative duties in an Engineering Department of the State / Central Government is allowed to work as a Contractor for a period of two years after his retirement from Government service, without Government permission. This contract is liable to be cancelled if either the Contractor or any of his employees is found any time to be such a person who had not obtained the permission of the Government as aforesaid before submission of the tender or engagement in the Contractor's service.
- 12 Bid documents and other details consisting of qualification information and eligibility criterion of bidders, plans, specifications, drawings, the schedule of quantities of the various classes of work to be done and the set of terms & conditions of contract to be completed with by the Contractor can be seen in the office of the Chief Project Manager (Mumbai.), Lucknow mentioned in column 8 of the table corresponding to the respective package between hours of 11.00 am and 05.00 pm on any working day between 27.11.2018 to 10.12.2018.
- 13 Any bidder who is having criminal record is not allowed to participate in the bidding process.
- 14 Any bidder who is registered with the state Bar Council is not allowed to participate in the bidding process.
- 15 Bidder must upload and submit information/document on prescribed proforma i.e. T4, T5, T6 with bid and photocopy of GST No., PAN, Labour Registration (if applicable).
- 16 Each bidder is required to furnish an affidavit on a non-judicial stamp paper of Rs. 10/- giving all informations on prescribed proforma required for evaluation of the bidding capacity of the bidder.
- 17 Department has right to reject any tender without showing any reason.
- 18 All work shall be carried out as per latest Railway's specification, latest MORT&H / MORD specification and also as per latest circulars of Rail Vikas Nigam/RDSO.
- 19 All rates are inclusive of Contractor's Profit, Royalty, T&P and all taxes etc. except GST.
- 20 E-tender complete detailed documents can be downloaded from web portal [www.etender.up.nic.in](http://www.etender.up.nic.in) on prescribed dates as per press note.
- 21 Bidder is necessarily required empanelment with RDSO or have joint certificate of working with any empanelment firm registered with RDSO for Composite Steel Girder (Procurement, Fabrication & transportation, Erection, Launching etc.) complete in all respect

(Sandeep Gupta)  
**Chief Project Manager (Mumbai)**  
U.P. State Bridge Corporation Ltd,  
Lucknow

**This is Certify that I have checked the Bid Document and it is correct in all respect.**

Project Manager  
Bridge Construction Unit,  
Mumbai

**OFFICE OF THE CHIEF PROJECT MANAGER (MUMBAI)  
U.P. STATE BRIDGE CORPORATION LTD.  
LUCKNOW**



**TENDER DOCUMENT**

(Total no. of pages: 46 )  
(e-tendering System)

<b>NIT No.</b>	<b>:</b>	<b>53/CPM(Mumbai Works)/JNPT/2018 Dtd. 26.11.2018</b>
<b>Name of Work</b>	<b>:</b>	<b>Construction/Modification of Existing ROB &amp; Approach road Near Administrative Building Of JNPT At JNPT/Navi Mumbai Maharashtra</b>
<b>Sub work</b>	<b>:</b>	<b>Composite Steel Girder (Procurement, Fabrication &amp; Transportation, Erection, Launching etc.) complete in all respect</b>
<b>Estimated Value of Work</b>	<b>:</b>	<b>Rs. 8,000,000.00 (Eight Crore only Aprox.)</b>
<b>Earnest Money</b>	<b>:</b>	<b>Rs.8,00,000.00 (Eight lacs Only)</b>
<b>Tender Document Cost</b>	<b>:</b>	<b>Rs 10,000/- + GST 18%</b>
<b>Validity of Bid</b>	<b>:</b>	<b>90 days</b>

<b>Sl. No.</b>	<b>Description</b>	<b>Date</b>	<b>Time</b>
1	Document Downloading start date	27.11.2018	10:30 A.M
2	Document Downloading end date	10.12.2018	05:00 P.M.
3	Online bid submission start date	27.11.2018	11:00 A.M.
4	Online bid submission closing date	10.12.2018	05:00 P.M.
5	Tender hardcopy submission closing date	13.12.2018	01:00 P.M.
6	Technical bid opening date	10.12.2018	05:30 P.M.

- ❖ Financial Bid will be opened of those Tenderer's who qualify in Technical Bid Date of **Opening Financial Bid** shall be intimated later on.



Regd. Office :- 16, Madan Mohan Malviya Marg Lucknow – 226001  
Phone No. 0522- 2209792, 2207442 Fax # 0522-2209798  
e-mail : [Upsbcltd@gmail.com](mailto:Upsbcltd@gmail.com)

# **TABLE OF CONTENTS**

## **Bidding Document for Construction of Work**

<b>Section</b>	<b>Description</b>	<b>Page No</b>
1	Notice Inviting Tenders	03-05
2	List of Important Dates	06
3	Instructions for Submission of Tenders	07-21
4	Instructions to Bidders	22-24
5	Qualification information, Forms of Bid for submitting Qualification Information,	25-30
6	Conditions of Contract. Part I – Terms & Conditions of Contract Part II – Technical Specifications of Contract Part III – Bill of Quantities Preamble	31-34 35-37 38
7	Bill of Quantities	39-40
8	Schedule of Work	41-42
9	Undertaking by the Tenderer	43
10	Bank Certificate, Standard Forms of Bank Guarantee and performance Guarantee	44-46

SECTION - 1

**NOTICE INVITING TENDER**

**U.P.STATE BRIDGE CORPORATION LTD.**

16, Madan Mohan Malviya Marg,Lucknow

Sealed tenders are invited for Composite Steel Girder (Procurement, Fabrication & Transportation, Erection, Launching etc.) complete in all respect at **Construction/ Modification of Existing R.O.B & Approach Road near Administrative building of JNPT at JNPT,Navi Mumbai, Maharashtra** who have registered with <http://etender.up.nic.in> for Composite Steel Girder (Procurement, Fabrication & transportation, Erection, Launching etc.) complete as per Tender document published and processed through <http://etender.up.nic.in>.

Bid must be accompanied by non-refundable fee of Rs. 10000+18% GST = Rs. 11800.00 as tender document fee, in the form of Bank Guarantee/Fixed Deposit Receipt of a scheduled commercial bank, for amount indicated in favor of "U.P. State Bridge Corporation Ltd., Payable at Ulwe, Navi Mumbai. Prospective bidder may seek any information regarding the bids from the office of **Chief Project Manager (Mumbai)** U.P. State Bridge Corporation Ltd. 16, Madan Mohan Malviya Marg,Lucknow on any working day between 10 A.M. to 5.00 P.M. Set of bidding documents will be available online on website <http://etender.up.nic.in> from **10:30 A.M. of 27.11.2018 to 5:00 P.M. of 10.12.2018**

(Sandeep Gupta)  
**Chief Project Manager (Mumbai)**

**Not For Publication**

**Copy to the followings for information:-**

1. Project Manager, B.C.U. Mumbai.
2. Notice Board, Office Mumbai.

**Chief Project Manager (Mumbai)**

**Office of the Chief Project Manager (Mumbai),  
U.P. State Bridge Corporation Ltd.,  
Lucknow**

**Notice Inviting Tenders**

**No. 53 /CPM(Mumbai)/JNPT/2018**

**Dated: 26 /11/2018**

- 1 The Chief Project Manager (Mumbai.), U.P.S.B.C. Ltd., Lucknow on behalf of Managing Director, U.P. S.B.C. Ltd., Lucknow invites the bids only in percent rate method for all items from the eligible and approved Contractors registered with UPSBC/ UPPWD/R.D.S.O./Indian Railway/CPWD and having relevant experience as defined in the General/Technical conditions. **The Bidder may submit bids for any or all of the works. Bidders are advised to note the minimum qualification criteria specified in the Instructions to Bidders to qualify for the award of the contract.**

2.

Sl. No.	District	Name of work	Estimated Cost (Rs.)	Bid Security (Rs.)	Cost of Bid Document	Time of Completion	Address of Project Manager	Address of Chief Project Manager (Mumbai.)
1	2	3	4	5	6	7	8	9
1-	Navi Mumbai	Composite Steel Girder (Procurement, Fabrication & transportation, Erection, Launching etc.) complete in all respect for the Construction/ Modification of Existing R.O.B & Approach Road near Administrative building of JNPT at JNPT, Navi Mumbai, Maharashtra  (As per BOQ)	Rs. 8,00,00,000.00	Rs. 8,00,000.00	10000.00 + GST 18% = Rs.11800.00	90 days	Flat No-603, Plot No-25, Tejas Symphony, Sector-9, Ulwe, Navi Mumbai-410206	U.P.State Bridge Corporation Ltd. 16, M.M.M.Marg, Lucknow-226001

- 3 Time allowed for completion of work is 90 Days.**
- 4 The bids shall remain valid for acceptance for a period of 30 (Thirty) days from the last date of submission of bids. Bids once submitted cannot be withdrawn.
- 5 Bids must be accompanied by non-refundable fee as indicated in Column 6 of the above table, in the form of Bank Guarantee/Fixed Deposit Receipt of a scheduled commercial bank, for amount indicated in favour of "**U.P. State Bridge Corporation Limited**", payable at Ulwe, Navi Mumbai. A set of bidding documents will be available online on website <http://etender.up.nic.in>.
- 6 Bids can be downloaded only from date 27.11.2018 on 10:30 AM to 10.12.2018 upto 05.00 PM. The technical bids will be opened online on date 10.12.2018 at 05:30 PM. If the office happens to be closed on the date of opening of the bids as specified, the bids will be opened online on the next working day respectively, at the same time and validity of bid will be considered from the original date. The date and time of opening of the financial bid shall be notified on website. The Financial bids shall be accordingly opened online.
- 7 Bids must be accompanied with EMD of the amount specified for the work in the table. EMD will have to be in any one of the forms as specified in the bidding document and shall be valid for 90 days beyond the validity of the bid. EMD should be pledged in favour of "**U.P. State Bridge Corporation Limited, Payable at Ulwe, Navi Mumbai**" in the form of FDR/ Bank Guarantee.
- 8 Bidder has to upload and submit Tender documents all affidavits as per clause 4 of I.T.B., Tender Cost, Earnest Money and all certificates in original in the office of the Chief Project Manager (Mumbai.), 16, Madan Mohan Malviya Marg, Lucknow after opening of Technical Bid.
- 9 In case of any discrepancy between the downloaded bid document and that available with the concerned Project Manager/ Chief Project Manager (Mumbai.), the bid document available in the office would be considered authentic
- 10 A bidder shall not be permitted to bid for works in the Zone responsible for award and execution of contracts in which his or his spouse's near relatives (defined as first blood relations, and their spouses) is posted as Divisional Accountant or as an officer in any capacity between the grades of Superintending Engineer and Junior Engineer (both inclusive)

- 11 No Engineer of gazetted rank or other Gazetted officer employed in Engineering or Administrative duties in an Engineering Department of the State / Central Government is allowed to work as a Contractor for a period of two years after his retirement from Government service, without Government permission. This contract is liable to be cancelled if either the Contractor or any of his employees is found any time to be such a person who had not obtained the permission of the Government as aforesaid before submission of the tender or engagement in the Contractor's service.
- 12 Bid documents and other details consisting of qualification information and eligibility criterion of bidders, plans, specifications, drawings, the schedule of quantities of the various classes of work to be done and the set of terms & conditions of contract to be completed with by the Contractor can be seen in the office of the Chief Project Manager (Mumbai.), Lucknow mentioned in column 8 of the table corresponding to the respective package between hours of 11.00 am and 05.00 pm on any working day between 27.11.2018 to 10.12.2018.
- 13 Any bidder who is having criminal record is not allowed to participate in the bidding process.
- 14 Any bidder who is registered with the state Bar Council is not allowed to participate in the bidding process.
- 15 Bidder must upload and submit information/document on prescribed proforma i.e. T4, T5, T6 with bid and photocopy of GST No., PAN, Labour Registration (if applicable).
- 16 Each bidder is required to furnish an affidavit on a non-judicial stamp paper of Rs. 10/- giving all informations on prescribed proforma required for evaluation of the bidding capacity of the bidder.
- 17 Department has right to reject any tender without showing any reason.
- 18 All work shall be carried out as per latest Railway's specification, latest MORT&H / MORD specification and also as per latest circulars of Rail Vikas Nigam/RDSO.
- 19 All rates are inclusive of Contractor's Profit, Royalty, T&P and all taxes etc. except GST.
- 20 E-tender complete detailed documents can be downloaded from web portal [www.etender.up.nic.in](http://www.etender.up.nic.in) on prescribed dates as per press note.
- 21 Bidder is necessarily required empanelment with RDSO or have joint certificate of working with any empanelment firm registered with RDSO for Composite Steel Girder (Procurement, Fabrication & transportation, Erection, Launching etc.) complete in all respect

(Sandeep Gupta)  
**Chief Project Manager (Mumbai)**  
U.P. State Bridge Corporation Ltd,  
Lucknow

**This is Certify that I have checked the Bid Document and it is correct in all respect.**

Project Manager  
Bridge Construction Unit,  
Mumbai





## CHIEF PROJECT MANAGER (MUMBAI)

U.P. STATE BRIDGE CORPORATION LTD.  
LUCKNOW

### SECTION- I

#### **List of Important dates of bids**

Sl. No.		
1	Name of Project	<b>Construction/Modification of Existing ROB &amp; Approach road Near Administrative Building Of JNPT At JNPT/Navi Mumbai Maharashtra.</b>
2	Name of work	<b>Composite Steel Girder (Procurement, Fabrication &amp; Transportation, Erection, Launching on pier caps Complete Job</b>
3	Period of completion for construction of Steel Girder	90 days from the date of agreement
4	Date and reference of notice inviting bid	As per N.I.T.
5	Period of availability of bidding documents On website <a href="http://etender.up.nic.in">http://etender.up.nic.in</a>	From 27.11.2018 to 10.12.2018
6	Date time and place of pre- bid meeting	Not Required
7	Contact Person	Mr. Sandeep Gupta C.P.M. (Mumbai) Mob: 8765973151, Mr. Manoj Agarwal, PM, BCU-Mumbai, Mob. No- 09958001668
8	Deadline for receiving the bids online	Date:- 10.12.2018, Time:- 05:00 P.M.
9	Time place and deadline for receiving hard copy of tender ((May change and will depend on Administrative Approval)	Date:- 13.12.2018, Time:- 01:00 P.M. Place:- Office of the Chief Project Manager(Mumbai), U.P. State Bridge Corporation Ltd. SETU BHAWAN 16,M.M.M.Marg Lucknow (U.P) or at Project Manager, UPSBC Ltd., Flat No. 603, Plot No.25, Tejas Symphony, Sec-9, Ulwe, Navi Mumbai-410206
10	Date Time and Place of Opening Technical Bids (May change and will depend on Administrative Approval)	Date:- 10.12.2018, Time:- 5:30 P.M. Place:- Office of the Chief Project Manager (Mumbai), U.P. State Bridge Corporation Ltd. SETU BHAWAN 16,M.M.M.Marg Lucknow (U.P)
11	Date Time and Place of Opening Financial Bids(May change and will depend on Administrative Approval)	Date & Time :- Shall be intimated later on. Place:- Office of the Chief Project Manager, (Mumbai), U.P. State Bridge Corporation Ltd. SETU BHAWAN 16,M.M.M.Marg Lucknow (U.P).
12	Bid validity	Up to 18.02.2019 (90 days)
13	Officer inviting Bids	Chief Project Manager (Mumbai), on behalf of M.D. U.P. State Bridge Corporation Ltd.



**OFFICE OF THE CHIEF PROJECT MANAGER (MUMBAI)**  
 U.P. STATE BRIDGE CORPORATION LTD.  
 LUCKNOW

## Section 2 : Instructions to Bidders

### Table of Clauses

Clause	A. General	Clause	f. Award of Contract
1.	Scope of Bid	21.	Award Criteria
2.	Source of Funds	22.	Employer's Right to Accept any Bid and to Reject any or all Bids.
3.	Eligible Bidders	23.	Notification of Award
4.	Qualification of the Bidder	24.	Performance Guarantee
5.	One Bid per Bidder	25.	Corrupt or Fraudulent Practices
6.	Cost of Bidding	<b>Clause</b>	<b>G. COST CONTROL</b>
7.	Site Visit		
<b>Clause</b>	<b>B. Bidding Documents and Evaluation</b>	26.	Bill of Quantities
8.	Content of Bidding Documents	27.	Variations
<b>Clause</b>	<b>C. Preparation of Bids</b>	28.	Payment for Variations
		29.	Cash flow for cast
9.	Documents Comprising the Bid	30.	Payment Certificates
10.	Earnest Money	31.	Payments
11.	Sealing and Marking of Bids.	32.	Compensation Events
<b>Clause</b>	<b>D. Submission of Bids</b>	33.	Tax
12.	Deadline for Submission of Bids	34.	Currencies
13.	Late Bids	35.	Security deposit
<b>Clause</b>	<b>E. Bid</b>	<b>Clause</b>	<b>H. OTHER CONDITIONS OF CONTRACT</b>
14.	Bid Opening	36.	Labour
15.	Process to be Confidential	37.	Compliance of labour
16.	Clarification of Bids & Contracting the Employer.	38.	Drawings and Photographs
17.	Examination of Bids and Determination of Responsiveness	39.	The Apprentices Act 1961
18.	Correction of Errors	40.	Traffic Management
19.	Evaluation and Comparison of Bids		
20.	Price Preference		



**OFFICE OF THE CHIEF PROJECT MANAGER (MUMBAI)**  
U.P. STATE BRIDGE CORPORATION LTD.  
LUCKNOW

**SECTION- 2**

**Instructions to Bidders (ITB)**

**A. General**

**1. Scope of Bid**

- 1.1 The Employer invites bids for the construction of Works as described in these documents and referred to as "the works". The name of the works is provided in section-1. The bidders may submit bids for all of the works detailed in the table given in B.O.Q. of the tender.
- 1.2 The successful Bidder will be expected to complete the Works with in the stipulated time mentioned in the schedule of work.
- 1.3 Throughout these documents, the terms "bid" and "tender" and their derivatives (bidder/tender, bid/tender, bidding/tendering, etc.) are synonymous.

**2. Source of Funds**

- 2.1 State Government through U.P. State Bridge Corporation Ltd., 16, Madan Mohan Malviya Marg, Lucknow (U.P).

**3. Eligible Bidders**

- 3.1 This Invitation for Bids is open to contractor registered with U.P.S.B.C. /U.P.P.W.D./R.D.S.O. /Indian Railway/CPWD and having relevant experience as defined in the general/ technical condition.
- 3.2 Bidders shall not be under a declaration of ineligibility for corrupt and fraudulent practices on black Listed by the Central Government, the State Government or any public undertaking, autonomous body, authority by whatever name called under the Central or the State Government.
- 3.3 Any bidders having criminal record is not allowed to participate in the bidding process. Any person who is having criminal cases against him or involved in the organized crime or gangster activities or Mafia, Goonda or Anti social activity are strictly prohibited to participate in the bidding process. If it is established that any bidder has criminal record, his bid shall be automatically cancelled.
- 3.4 Any bidder who is an Advocate and Registered with any State Bar Council shall not be allowed to participate in the bidding. If it is established that the contractor is registered with the state bar council, his bid shall be automatically cancelled.
- 3.5 The bidder has to produce Character certificate, Solvency certificate, self declaration affidavit (on the prescribed proforma which is attached with the bid document) etc., issued by the competent authority in original with bid document.

**4. Qualification of the Bidder**

- 4.1 All bidders shall provide in Section 3. Forms of Bid and Qualification information, a preliminary description of the proposed work method and schedule, including drawings and charts, as necessary.
- 4.2 All bidders shall include the following information and documents with their bids in Section 3, Qualification Information.
- (a) copies of original documents defining the constitution or legal status, place of registration, and principal place of business, written power of attorney of the signatory of the Bid to commit the Bidder;
  - (b) Total monetary value of civil construction works performed for similar works during the last two years.
  - (c) experience in works of a similar nature, and details of works in progress or contractually committed with certificates from the concerned officer of the rank of Executive Engineer or equivalent;
  - (d) Evidence of ownership of major items of construction equipment or evidence of arrangement of possessing them on hire/lease/buying as defined therein.
  - (e) Details of the technical personnel proposed to be employed for the Contract having the qualifications (1 no. B.tech in and 2 nos of diploma in civil engineering) for the construction.
  - (f) reports on the financial standing of the Bidder, such as profit and loss statements and auditor's reports for the past two years;
  - (g) an undertaking that the bidder will be able to invest a minimum of cash up to the 10% of the contract price of works, during the implementation of the works.
  - (h) Evidence of access to line(s) of credit and availability of other financial resources/facilities (10 percent of the contract value) certified by banker (the certificate being not more than 3 months old.)
  - (i) information regarding any litigation or arbitration during the last five years in which the Bidder is involved, the parties concerned, the disputed amount, and the matter;
  - (j) the proposed methodology and programme of construction, backed with equipment and material planning and deployment, duly supported with broad calculations and Quality Management Plan proposed to adopted, justifying their capability of execution and completion of the work as per technical specifications and within the stipulated period of completion.

4.3 **Bid from joint venture are not allowed.**

- 4.3(A) (a) **Each bidder must produce:**
- (i) The current income-tax clearance certificate;
  - (ii) An affidavit that the information furnished with the bid documents is correct in all respects; and
  - (iii) Such other certificates as defined in the General / Technical Condition. Failure to produce the certificates shall make the bid non-responsive.
- (b) **Each bidder must demonstrate:**
- (i) Availability for construction work, of the owned, key equipment including equipments required for establishing field laboratory to perform mandatory tests.
  - (ii) Availability for construction work of technical personnel.
- (c) **The bidder must not have in his employment:**
- (i) The near relations (defined as first blood relations, and their spouses, of the bidder or the bidder's spouse) of persons.
  - (ii) Without Government permission, any person who retired as gazetted officer within the last two years of any engineering department, board or PSU etc.

- 4.3 (B) To qualify for a package of contracts made up of this and other contracts for which bids are invited in the Notice Inviting Tender, the bidder must demonstrate having experience and resources sufficient to meet the aggregate of the qualifying criteria for the individual contracts.
- 4.3 (C) To qualify for award of the Contract, each bidder should have in the last three years:
- a) Must have achieved Turn Over as per Clause 3 of Section 4 Part -I
  - b) Company must have the equipments in their premises as mentioned vide clause 4.4B (b)(i) of Appendix to Invitation to Bidders (ITB).

NOTE : Tenderer must submit affidavit on Rs. 10/- Stamp paper duly notarized for having all above facilities in their premises.

- C) The Tenderers must enclose Certificate of Govt. Department having fabricated, supplied and installed plate girders 50 M span or more during the last three years.
- D) The Tenderers must have fabricated, supplied and installed steel girders upto 1500 MT in single contract and 2500 MT in two contracts for Railways & UPSBC during last 3 years.
- E) Firm must have proven track record of fabrication and supply of 2000 MT per annum for Railways or any other Government Departments during last 3 years.
- F) The Tenderers must be approved from RDSO.

Financial Bid shall be opened of that companies only who fulfill the above requirement.

- 4.3 (D) Bidders who meet the minimum qualification criteria will be qualified only if their available bid capacity for construction work is equal to or more than the total bid value. The available bid capacity will be calculated as under:  
Assessed Available Bid capacity = ( A\*N\*M - B )

where

A = Maximum value of civil engineering works executed in any one year during the last five years (updated to the price level of the last year at the rate of 8 percent a year) taking into account the completed as well as works in progress.

N = Number of years prescribed for completion of the works for which bids are invited (period up to 6 months to be taken as half-year and more than 6 months as one year).

M = M is taken 2.5

B = Value, at the current price level, of existing commitments and on-going works to be completed during the period of completion of the works for which bids are invited.

Note: The statements showing the value of existing commitments and on-going works as well as the stipulated period of completion remaining for each of the works listed should be countersigned by the Engineer in charge, not below the rank of an Executive Engineer or equivalent.

- 4.4 Even though the bidders meet the above qualifying criteria, they are subject to be disqualified if they have:

- (i) Made misleading or false representations in the forms, statements, affidavits and attachments submitted in proof of the qualification requirements; and/or
  - (ii) Record of poor performance such as abandoning the works, not properly completing the contract, inordinate delays in completion, litigation history, or financial failures etc.
  - (iii) Participated in the previous bidding for the same work and had quoted unreasonably high or low bid prices and could not furnish rational justification for it to the Employer.
- 4.4 (a) Achieved in any one year, a minimum financial turn over (in all cases of Civil Engineering Construction works only) volume of construction work of at least the amount equal to the estimated cost of work, if the time of completion is equal to or more than one year and Double the estimated cost of work if the tune of completion is less than one year.
- (b) Satisfactory completed, as prime contractor, at least one similar work equal in value of the estimated cost of work or two similar works each equal to 1/3rd value of estimated cost of work for which the bid is invited.
  - (c) Similar works means, fabrication, erection and launching of composite steel girders work in accordance with nature of works for which bid is invited.

#### 5. **One Bid per Bidder**

- 5.1 Each Bidder shall submit only one Bid for one work, A Bidder who submits more than one Bid will cause the proposals with the Bidder's participation to be disqualified.

#### 6. **Cost of Bidding**

- 6.1 The Bidder shall bear all costs associated with the preparation and submission of his Bid, and the Employer will, in no case be responsible or liable for those costs.

#### 7. **Site Visit**

- 7.1 The Bidder, at his own cost, responsibility and risk, is encouraged to visit, examine and familiarize himself with the Site of Works and its surroundings including source of earth, water, road aggregates etc. and obtain all information that may be necessary for preparing the Bid and entering into a contract for construction of the Works. The costs of visiting the Site shall be at the Bidder's own expense. He may contact the person whose contact details are given in section 1.

### **B. Bidding Documents**

#### 8. **Content of Bidding Documents**

- 8.1 The set of bidding documents comprises the documents listed below:-

1. Notice inviting Tender.
2. Instructions to Bidders
3. Qualification Information
4. Condition of Contract  
(Part I General Conditions of Contract and Part II Technical Conditions of Contract)
5. Specification
6. Bill of Quantities
7. Form of Bid, Format of Bank Guarantee, from of agreement, issue of notifications

**09. Documents Comprising the Bid.**

09.1 The Online Bid submitted by the Bidder shall be in two separate parts:

**Part I** This shall be named Technical Bid and shall comprise of:

- I. Earnest Money in a separate cover marked 'Earnest Money';
- II. Authorized Address and contact details of the bidder having the following information: Address of communication:  
Telephone No (s): Office :  
Mobile No. :  
Electronic Mail Identification (E-mail ID) :
- III. Qualification information, supporting documents, affidavit and undertaking as specified in ITB
- IV. Undertaking that the bid shall remain valid for the period 90 days from the opening date of the tender.
- V. Cost of tender, any other information/document required to be completed and submitted by bidders as specified in the general/technical condition/ ITB, and
- VI. An affidavit affirming that information he has furnished in the bidding document is correct to the best of his knowledge and belief.

**Part II** It shall be named Financial Bid and shall comprise of:

- (i) Bill of quantities.

09.2 Each part shall be separately sealed and marked in accordance with Scaling and Marking instructions in clause of ITB.

09.3 The following documents, which are not submitted with the bid, will be deemed to be part of the bid.

---

Section	Particulars
1.	Notice inviting Tender
2.	Instruction to the bidders
3.	Conditions of Contract
4.	Contract Data
5.	Specifications

---

**10. Earnest Money**

10.1. The Bidder shall furnish as part of the Bid, Earnest Money for this tender is **Rs. 8,00,000/-** (Eight lacs only).

10.2. The Earnest Money shall be in the form of Bank Guarantee / Fixed Deposit Receipt of a scheduled commercial bank issued in favour of the name given in the Appendix to ITB. The Fixed Deposit Receipt shall be valid for twelve months or more after the last date of receipt of bids. Other forms of Earnest Money acceptable to the Employer are stated in the Appendix to ITB.

- 10.3. Any bid not accompanied by an acceptable Earnest Money, unless exempted, shall be rejected by the Employer as non-responsive.
- 10.4. The Earnest Money of unsuccessful bidders will be returned within 28 days after allotment of tender.
- 10.5. The Earnest Money of the successful Bidder will be adjusted against the security deposit of 5% of total value of work.

**10.6 The Earnest Money may be forfeited:**

- a) if the Bidder withdraws the Bid after bid opening (technical bid) during the period of Bid validity.
- b) in the case of a successful Bidder if the Bidder, fails within the specified time limit to sign the Agreement.

**11. Sealing and Marking of Bids**

- 11.1. The Bidder shall place the two separate envelopes (called inner envelopes) marked "Technical Bid" and "Financial Bid" in separate sealed envelopes. The inner envelopes will have markings as follows:

Technical Bid: Online technical bid will be opened on 10/12/2018 at 5:30 (date and time of Technical Bid opening as per section I.)

Financial Bid: Financial Bid will be opened online for which date and time will be intimated lateron.

The contents of the Technical and Financial Bids shall be as specified in ITB.

- 11.2. Envelopes containing the Technical and Financial Bids shall be enclosed in separate outer envelope which shall
  - a) Be addressed to the Chief project manager at the address provided section I;
  - b) Bear the name and reference number of the Contract as defined Section I; and
  - c) Provide a warning not to open before the specified time and date for Bid opening as defined in Section I.
- 11.3. In addition to the identification required in Clause 11.2 each of the envelopes shall indicate the name and address of the Bidder to enable the Bid to be returned unopened in case it is declared late, pursuant to Clause 13 of ITB; or is declared non-responsive pursuant to Clause 14 of ITB.

**C. Submission of Bids**

**12. Deadline for Submission of Bids**

- 12.1. Complete Bids (including Technical and Financial) must be submitted online as per scheduled date and time indicated in Section I. Hard copies of bid as mentioned in section I must be received in the office of **Chief Project Manager (MUMBAI)**, U.P. State Bridge Corporation Ltd. SETU BHAWAN 16,M.M.M.Marg Lucknow (U.P) before date and time specified in section I.
- 12.2. The Employer may extend the deadline for submission of bids by issuing an amendment in accordance; in which case all rights and obligations of the Employer and the bidders previously subject to the original deadline will then be subject to the new deadline.

**13. Late Bids**

- 13.1. The bids will be submitted online up to the time specified.



- 13.2. The bidder has to submit hard copies of technical bid along with E.M.D./cost of tender before the stipulated time mentioned in section I in the office of **Chief Project Manager (MUMBAI)**, U.P. State Bridge Corporation Ltd. SETU BHAWAN 16,M.M.M.Marg Lucknow (U.P) If the hard copies of bid along with E.M.D. / tender cost are not received upto the stipulated time the online bid will not be opened and bid shall be rejected.
- 13.3 Rates invited are **excluding G.S.T**

**D. Bid Opening and Evaluation**

**14. Bid Opening**

- 14.1. The Employer will open the bids received (except those received late) in the presence of the bidder's/bidder's representatives who choose to attend at the time, date and place specified in the Section I. In the event of the specified date for the submission of bids being declared a holiday for the Employer the Bids will be opened at the appointed time and location on the next working day.
- 14.2. In all other cases, the amount of Earnest Money forms and validity shall be announced. Thereafter the bidder's names and such other details as the Employer may consider appropriate will be announced by the Employer at the opening.
- 14.3. The Employer will prepare minutes of the Bid opening, including the information disclosed to those present in accordance with Clause 14.2 or ITB.
- 14.4. Evaluation of the technical bids with respect to bid security, qualification information and other information furnished in Part 1 of the bid in pursuant to Clause of ITB, shall be taken up, and a list will be drawn up of the responsive bids whose financial bids are eligible for consideration.
- 14.5. The online financial bids of bidder whose technical bids are found responsive will be opened on the date and time specified in section I. In the event of the specified date being declared a holiday for the Employer, the bids will be opened at the appointed time and location on the next working day. Bidder or their representative may attend the meeting of opening of financial bids.
- 14.6. At the time of the opening of the '**Financial Bid**' the names of the bidders whose bids were found responsive in accordance with clause of ITB will be announced. The financial bids of only those responsive bidders will be opened whose Technical Bid meeting all eligibility criteria. The responsive bidder's names, the Bid prices, the total amount of each bid, and such other details as the Employer may consider appropriate will be announced by the Employer at the time of bid opening.
- 14.7. The Employer shall prepare the minutes of the opening of the Financial Bids.

**15. Process to be Confidential**

- 15.1. Information relating to the examination, clarification, evaluation and comparison of bids and recommendations for the award of a contract shall not be disclosed to bidders or any other persons not officially concerned with such process until the award to the successful Bidder has been announced. Any attempt by a Bidder to influence the Employer's processing of bids or award decisions may result in the rejection of his Bid.

**16. Clarification of Bids and Contacting the Employer**

- 16.1. No Bidder shall contact the Employer in any matter relating to its bid from the time of the bid opening to the time, the contract is awarded.
- 16.2. Any attempt by the bidder to influence the Employer's bid evaluation bid comparison or contract award decision may result in the rejection of his bid.

17. **Examination of Bids and Determination of Responsiveness.**

- 17.1. During the detailed evaluation of "Technical Bids" the Employer will determine whether each Bid (a) meets the eligibility criteria defined in ITB; (b) has been properly signed; (c) is accompanied by the required securities; and (d) is substantially responsive to the requirements of the bidding documents. During the detailed evaluation of the "Financial Bids", the responsiveness of the bids will be further determined with respect to the remaining bid conditions, i.e., priced bill of quantities and technical specifications.
- 17.2. A substantially responsive "Financial Bid" is one that conforms to all the terms, conditions and specifications of the bidding documents, without material deviation or reservation. A material deviation or reservation is one
  - (a) Which affects in any substantial way the scope, quality, or performance of the work;
  - (b) which limits in any substantial way inconsistent with the bidding documents the Employer's rights or the Bidder's obligations under the Contract; or
  - (c) Whose rectification would affect unfairly the competitive position of other bidders presenting substantially responsive bids.
- 17.3. If a "Financial Bid" is not substantially responsive it will be rejected by the Employer and may not subsequently be made responsive by correction or withdrawal of the nonconforming deviation or reservation.

18. **Correction of Errors**

- 18.1. The technical and financial bid are to be submitted online on prescribed formate. No correction/modification will be allowed after opening of technical/ financial bids. Any mistakes in submitting the bids online will result in disqualification of the bid.

19. **Evaluation and Comparison of Bids**

- 19.1. The Employer will evaluate and compare only the bids the determined to be substantially responsive in accordance of ITB.
- 19.2. If the Bid of the successful Bidder is seriously unbalanced in relation to the Engineer's estimate of the cost of work to be performed under the contract; the Employer may require the Bidder to produce detailed price analyses for any, or all items of the Bill of Quantities, to demonstrate the internal consistency of those prices with the construction methods and schedule proposed. After evaluation of the price analyses the Employer may require that the amount of the earnest money of ITB be increased at the expense of the successful Bidder to a level sufficient to protect the Employer against financial loss in the event of default of the successful Bidder under the Contract. The amount of the increased performance security shall be decided at the sole discretion of the Employer which shall be final binding and conclusive on the bidder.

20. **Price Preference**

20.1. There will be no price preference to any bidder.

**E. Award of Contract**

21. **Award Criteria**

21.1. Subject to Clause of ITB the Employer will award the Contract to the Bidder whose Bid has been determined:

- i. to be substantially responsive to the bidding documents and who has offered the lowest evaluated Bid price, provided that such Bidder has been determined to be (a) eligible in accordance with the provisions of Clause of ITB and (b) qualified in accordance with the provisions of Clause of ITB; and
- ii. to be within the available bid capacity adjusted to account for his bid price which is evaluated the lowest in any of the packages opened earlier than the one under consideration.

22. **Employer's right to Accept any Bid and to Reject any or all Bids**

22.1. Notwithstanding Clause of ITB the Employer reserves the right to accept or reject Bid, and to cancel the bidding process and reject all bids, at any time prior to the award of Contract, without thereby incurring any liability to the affected Bidder or bidders or any obligation to inform the affected Bidder or bidders of the grounds for the Employer's action.

23. **Notification of Award and Signing of Agreement**

23.1. The bidder whose Bid has been accepted will be notified of the award by the Employer prior to expiration of the Bid validity period by email or confirmed by registered letter. This letter will state the sum that the Employer will pay to the Contractor in consideration of the execution completion by the Contractor as prescribed by the Contract (hereinafter and in the Contract called the "Contract Price")

23.2. The notification of award will constitute the formation of the Contract.

23.3. The Agreement will be signed by the Employer and the successful bidder on prescribed format.

24. **Performance Guarantee**

24.1. Performance Guarantee in form of affidavit on Rs.100/- Stamp paper will be submitted by the contractor at the time of signing agreement. This shall be valid up to defect liability period of one year after opening of traffic.

25. **Corrupt or Fraudulent Practices.**

The Employer requires the bidders/Contractors to strictly observe the laws against fraud and corruption in force India, namely, Prevention of Corruption Act, 1988.

**F. COST CONTROL**

## 26. **Bill of Quantities**

- 26.1 The Bill of Quantities shall contain items for the procurement, fabrication, transportation, installation, erection, testing, and commissioning works.
- 26.2 The Bill of Quantities is used to calculate the Contract Price. The Contractor is paid for the quantity of the work done at the rate in the Bill of Quantities.
- 26.3 If any material is supplied by UPSBC Ltd, the corresponding cost shall be deducted from payments.

## 27. **Variations**

- 27.1 The Engineer shall, having regard to the scope of the Works and the sanctioned estimated cost, have power to order, in writing, Variations within the scope of the Works he considers necessary or advisable during the progress of the Works. Such Variations shall form part of the Contract and the Contractor shall carry them out and include them in updated Programme produced by the Contractor. Oral orders of the Engineer for Variations, unless followed by written confirmation, shall not be taken in to account.

## 28. **Payments for Variations**

If rates for variation items are specified in Bill of Quantity, the Contractor shall carry out such work at the same rate. If the rates for Variation are not specified in the Bill of Quantities, the Engineer shall derive the rate from similar items as per Railways several of rates.

- 28.1 The Contractor shall within 14 days of the issue of order of variation work, inform the Engineer the rate which he proposes to claim, supported by analysis of the rate. The Engineer shall assess the quotation and determines the rate based on prevailing market rates within one month of the submission of the claim by the Contractor. As far as possible, the rate analysis shall be based on the standard data book and the current scheduled of rates of the district public works division. The decision of the Engineer on the rate so determined shall be final binding on the Contractor.

## 29. **Cash Flow Forecast**

- 29.1. When the Programme is updated, the Contractor shall provide the Engineer with an updated cash flow forecast.

## 30. **Payment Certificates**

- 30.1 The payment to the contractor will be as follows for construction work:
  - (a) The Contractor shall submit to the Engineer monthly statements of the value of the work executed less the cumulative amount certified previously supported with detailed measurement of the items of work executed in measurement books of Junior Engineer, U.P. State Bridge Corporation Ltd.
  - (b) The Engineer shall check the Contractor's monthly statement within 14 days and certify the amount to be paid to the Contractor.
  - (c) The value of work executed shall be determined based on measurements by the Engineer.
  - (d) The value of work executed shall comprise the value of the quantities of the items in the Bill of Quantities completed.

- (e) The value of work executed shall also include the valuation of Variations and Compensation Events.
- (f) The Engineer may exclude any item certified in a previous certificate or reduce the proportion of any item previously certified in any certificate in the light of later information.

### 31. **Payments**

- 31.1. Payments shall be adjusted for deductions for advance payments security deposit, other recoveries in terms of the Contract and taxes at source, as applicable under the law. The Engineer shall pay the Contractor the amounts he had certified within 15 days of the date of each certificate.
- 31.2 Items of the Works for which no rate or price has been entered in the Bill of Quantities, will not be paid for by the Employer and shall be deemed covered by other rates and prices in the Contract.

### 32. **Compensation Events**

- 32.1 The following shall be Compensation Events unless they are caused by the Contractor:
  - a) The Engineer orders a delay or delays exceeding a total of 30 days.
  - b) The effects on the Contractor of any of the Employer's Risks.
- 32.2. If a Compensation Events would prevent the Works being completed before the intended Completion Date, the intended Completion Date shall be extended. The Engineer shall decide whether and by how much the intended Completion Date shall be extended.

### 33. **Tax**

- 33.1. The rates quoted by the Contractor shall be deemed to be inclusive of the levies, duties, royalties, Cess, toll, taxes of Central and State Governments, local bodies and authorities that the Contractor will have to pay for the performance of this Contract. The Employer will perform such duties in regard to the deduction of such taxes at source as per applicable law. (The Rate Quoted by the Contractor without GST. GST Paid Extra as per Rules)

### 34. **Currencies**

All payments will be made in Indian Rupees.

### 35. **Security Deposit / Release of Security Deposit**

- 35.1. The Employer shall retain security deposit of 5% of the amount from such payment due to the Contractor until completion of the whole of the construction Work.
- 35.2. The Security deposit will be released to the contractor after period of 12 months after opening of traffic on bridge.
- 35.3. If the contractor so desires to get his security deposit released after six month of completion of work or after opening of traffic on bridge. He can submit a bank guarantee for an amount equal to security deposit duly pledged to U.P.S.B.C. Ltd. for a period of 12 months.

## **G. Other Conditions of Contract**

### **36 Labour**

- 36.1 The Contractor shall, unless otherwise provided in the Contract, make his own arrangements for the engagement of all staff and labour, local or other and for their payment, housing, feeding and transport.
- 36.2 The Contractor shall, if required by the Engineer, deliver to the Engineer a return in detail, in such form and at such intervals as the Engineer may prescribe, showing the staff and the numbers of the several classes of labour from time to time employed by the Contractor on the site. And such other information as the Engineer may require.

### **37 Compliance with Labour Regulations**

- 37.1 During continuance of the contract, the Contractor and his sub-contractors shall abide at all times by all existing labour enactments and rules made there under, regulations, notifications and bye laws of the State or Central Government or local authority and any other labour law (including rules), regulations, bye laws that may be passed or notification that may be issued under any labour law in future either by the State or the Central Government or the local authority. Salient features of some of the major labour laws that are applicable to construction industry are given in Appendix to Part 1 General Condition of Contract. The Contractor shall keep the Employer indemnified in case any action is taken against the Employer by the competent authority on account of contravention of any of the provisions of any Act or rules made there under, regulations or notifications including amendments. If the Employer is caused to pay or reimburse such amount as may be necessary to cause or observe or for non observance of the provisions stipulated in the notifications / bye laws/ Acts / Rule/ regulations including amendments, if any on the part of the Contractor, the Engineer/Employer shall have the right to deduct any money due to the Contractor including his amount or performance security. The Employer/Engineer shall also have right to recover from the Contractor any sum required or estimated to be required for making good the loss or damage suffered by the Employer.

The employees of the Contractor and the Sub contractor in no case shall be treated as the employees of the Employer at any point of time.

### **38 Drawing and Photographs of the Works**

- 38.1 The contractor shall do photography/video photography of the site firstly before the start of the work, secondly mid way in the execution of different stages of work and lastly, after the completion of the work. No separate payment will be made to the contractor for this.
- 38.2 The Contractor shall not disclose details of Drawings furnished to him and works on which he is engaged without the prior approval of the Engineer in writing. No photographs/ Video photography shall be published or otherwise circulated without the approval of the Engineer in writing.

### **39 The Apprentices Act 1961**

- 39.1 The contractor shall duly comply with the provisions of the Apprentices Act 1961 (III of 1961), the rules made there under and the orders that may be issued from time to time

under the said Act and the said Rules and on his failure or neglect to do so he shall be subject to all liabilities and penalties provided by the said Act and said Rules.

#### **40. Traffic Management**

**40.1** Contractor will be responsible for the traffic management during the construction period. Contractor will be responsible for maintaining free flow of traffic. Proper barricating / sign boards for diversion will be arranged and installed by the contractor in the construction zone. Nothing extra will be paid on this account.

41.1 The rates quoted by the contractor shall be deemed to be excluding G.S.T.

#### **42. Currencies**

All payments will be made in Indian Rupees.

43. Security Deposit /Retention and Release of Performance Security and Security Deposit/Retention.

43.1 The employer shall retain security deposit of 5% of the amount each payment due to the Contractor until completion of the whole of the construction work. No. security deposit / retention shall be retained from the payments for Routine maintenance of works.

43.2 On the completion of the whole of the construction work half the total amount retained as Security Deposit is repaid to the contractor and half when the defect liability period has passed and the Engineer has certified that all defects notified by the Engineer to the Contractor before the end of his period have been corrected.

43.3 The additional performance security for unbalanced bids as per Condition of Contract is repaid to the Contractor when the construction work is complete.

43.4 The performance security equal to the five percent of the contract price as per Conditions of Contract is repaid to the Contractor when the one year fixed or defects liability period is over and the Engineer has certified that the contractor has satisfactorily carried out the works.

43.5 If the contractor so desires then the Security Deposit can be converted into interest bearing security of schedule commercial bank in the name of the Employer or National Saving Certificates duly pledged in favour of the Employer for Defect Liability Period.

#### **44. Liquidated Damages:**

44.1 The Contractor shall pay liquidated damages to the employer at the rate stated in Clause 13 of section 4.

44.2 If the Intended Completion Date is extended after liquidated damages have been paid, the Engineer shall correct any over payment of liquidated damages by the Contractor by adjusting the next payment certificate.

#### **45. Advance payment**

45.1 The Employer will make the following advance payment to the contractor against provision by the Contractor of an unconditional Bank Guarantee of equivalent amount in a form and by a Commercial bank acceptable to the Employer in amounts equal to the advance payment:

a) Mobilization advance up to 5 percent of the Contract price.

b) Equipment advance up to ninety percent of the cost of the new equipment brought to the site, subject to a maximum of 10 percent of the contract price.

The Bank Guarantee shall remain effective until the advance payment has been repaid, but the amount of the guarantee shall be progressively reduced by the amounts repaid by the Contractor. Interest @ 10% will be charged on advance payment of any type.

- 45.2 The Contractor is to use the advance payment only to pay for Equipment, plant and mobilization expenses required specially for execution of works. The Contractor shall demonstrate the advance payment as been used in this way by supplying copies of invoices or other documents to the Engineer.
- 45.3 The advance payment shall be repaid by deducting proportionate amounts from payments otherwise due to the Contractor for thhe construction work, following the schedule of completed percentage of the work on payment basis. No account shall be taken of the advance payment or the repayment in assessing valuation of work done. Variations, price adjustments, Compensation events or liquidated danages.
- 45.4 Earnest money and Performance guarantee shall be submitted by the contractor separately in form of Bank Guarantee in favour of U.P.State Bridge Corporation , MUMBAI.
- 45.5 Any machine or equipment of any type will not be provided by UPSBC.

**For U.P. State Bridge Corporation Ltd.**

**Tenderer**

**Chief Project Manager(Mumbai)**



## Appendix to Invitation To Bidders (ITB)

### Instructions to Bidders

Clause Reference

- (1.1) The Employer is Chief Project Manager U.P.S.B.C. Ltd. Lucknow  
Represented by : Chief Project Manager U.P.S.B.C. Ltd. Lucknow
- (1.2) Engineer: Project Manager B.C.U-MUMBAI.
- (1.3) The Works is **Construction/Modification of Existing ROB & Approach road Near Administrative Building Of JNPT At JNPT/Navi Mumbai Maharashtra**
- (2.1) The State is **MAHARASTRA**
- (3.1) Eligible Bidders are: Contractors registered with –Public Works Department in class **'A' or 'B', UP SBC Ltd., Irrigation Department, RES, Railway as the case may be.**
- (4.2) The information required from bidders in Clause 4.2 is modified as follows: **NONE**
- (4.4 B) (a) (iii) Other certificates required with the bid are: As per ITB
- (4.4. B) (b)(i) **The key equipments for bridge works and field testing laboratory Bridge Works are: FOR BRIDGE WORKS**

S.No.	Type of Key Plant & Equipment	.Maximum Age as on 31.03.2018	Minimum Nos.
1.	Girder Launching Equipment		As Required
2.	Hydra (owned or hired)		As Required
3.	CNC Cutting Machine		As Required
4.	PUG Cutting Machine		As Required
5.	CNC Drilling Machine		As Required
6.	Face Milling Machine of size min. 2.5 M x 1.5 M		As Required
7.	Hydraulic I-Section Straightening Machine of capacity 1.8M x 80 mm flange.		As Required
8.	Plate Straightening Machine		As Required
9.	German Made Stud Welding Machine with Gun & Accessories		As Required
10.	Shot Blasting & Metalizing Chamber with Hoper, Compressor, Hoise Pipe Nozzle, Steel, Grit & Metalizing Gun with Flow Meter		As Required
11.	Radial Drill Machine		As Required
12.	Magnatice Drill Machine		As Required
13.	Automatic Submerged Arc Welding Machine		As Required
14.	MAG/GMAW Machine		As Required
15.	Grinder Machine		As Required

For field testing Laboratory:

All equipment should be provided at site lab and central lab as per SP-20- 2002 I.MORTH / UP STATE BRIDGE CORPORATION LTD.

**Note:** (a) The bidder must produce the following documentary evidence in support of his owning the above equipment: Documents showing proof of ownership.

(4.4 B) (b)( ii) The Number of Technical personnel, Qualifications and Experience will be as follows:

**A. The Technical Personnel are:**

<b>S. No.</b>	<b>Position</b>	<b>Qualifications</b>	<b>Experience (Years)</b>
(1)	Site Engineer	BE (Civil)	
(2)	Site Engineers	Diploma in Civil	
(3)	Quality Assurance Engineer	Diploma in Civil/BSC	

To ensure employment of Technical Personnel, the contractor would require giving the proof of payment of their salaries/Wages by Cheque/Demand Draft.

**B. For field testing laboratory:**

(4.4 B) (b)(iii) The minimum amount of liquid assets and/or credit facilities net of other contractual commitments of the successful Bidder shall be 10% of the contract value

(4.4 B) (c) (i) The bidder must produce an affidavit stating that the near relations of the following departmental officers are not in his employment: J.E's, A.E.'s, P.M.'s, C.P.M's, G.M.'s, and other staff of equivalent rank

(4.4 B) (c) (ii) The bidder must produce an affidavit stating the names of retired gazetted officer (if any) in his employment who retired within the last two years with the following ranks from the departments listed below:

UP STATE BRIDGE CORPORATION LTD., A.Es, Project Manager, Project Manager, Chief Project Manager / Chief Project Manager. and. U.P. Irrigation. (Assistant Engineer, Executive Engineer, Superintending Engineer, Chief Engineer, Director cum Chief Engineer, Engineer-in Chief)

In case there is no such person in his employment, his affidavit should clearly state this fact.

(4.6) M = 2.5

(7.1) The contact person is:

Designation:  
Chief Project Manager (Mumbai)  
U.P. State Bridge Corporation Ltd.  
LUCKNOW

Designation:  
Project Manager  
U.P. State Bridge Corporation Ltd.  
B.CU-Mumbai,505,Tejas Symphony,  
Sector-9, Plot no-25,  
Ulwe, Navi Mumbai

(9. 2.1) Place, Time and Date for pre-bid meeting are:  
NOT APPLICABLE

(11.1) Language of the bid is: English

(12.1) Part I (v) The other documents required are: NONE

(13.2.) Bids may be submitted only in Percent Rate Method for all items.

(13.2) Schedule of Rate applicable for Percentage Rate Method is: (The rates for all items are to be compulsorily filled by the bidder).

(16.1) The amount of Earnest Money shall be Rs. 8,00,000.00

(16.2) Fixed Deposit Receipt / Bank Guarantee must be drawn in favour of:

**UP STATE BRIDGE CORPORATION LTD.,MUMBAI**

(16.2) Other acceptable forms of Bid Security pledged in favour of : UP STATE BRIDGE CORPORATION LTD. Bridge Construction Unit- MUMBAI.

(16.3) Exemption from Earnest Money is granted to: NONE

(20.1) The Employer's address for the purpose of Bid submission is

(i) Office of Chief Project Manager(Mumbai)  
U.P. State Bridge Corporation Ltd.  
LUCKNOW

(20.1) The deadline for submission of bids shall be:  
Time \_ 5.00 p.m.  
Date : 10.12.2018

(22.1) &(22.6) The date, time and place for opening of the Technical Bids are:

**(A) Technical Bid**

Date: 10.12.2018

Time: 5.30 PM

Place: Office of Chief Project Manager (Mumbai), UP State Bridge Corporation Ltd., Lucknow.

**(B) Financial Bid (For qualified bidder as) :**

Date & Time : Shall be intimated lateron.

Place: Office of Chief Project Manager(Mumbai ), UP State Bridge Corporation Ltd., Lucknow.

(32.1) The amount and validity period of the performance guarantee is:

Amount: **5 %** of the contract price

Validity Period: -

- (i) Performance security shall be valid until a date 60 days after the expiry of defect liability period.
- (ii) Additional Performance Security for unbalanced Bid shall be valid for 45 days plus intended completion period.

**Signature of Employer/ Authorised Signatory**

**Date:**

**Pre-Qualification Documents- Annexure-1**

Name of Contractor .....

Name of Partners (In case of partnership firm)

Name of Directors (In case of company)

.....  
.....  
.....

1. Income Tax PAN.....

2. G.S.T. ....

3. Employees Provident Fund Reg. No.....

Note:- Photocopies of registration certificates must be attached.

**Signature of Contractor and seal**

## **Pre-Qualification Documents- Annexure-2**

STATEMENT OF WORKS EXECUTED BY THE CONTRACTOR DURING LAST FOUR (04) YEARS.

SN	Name and place of work	Authority/agency for whom the work is being carried out.	Date of award and Agreement No. and date.

Date of completion (original/Actual)	Agreemental cost of work/completion cost.	Principal/technical features of work in brief.	S. No. at which relevant document are enclosed.

**Signature of Contractor and seal**

### **Pre-Qualification Documents- Annexure-3**

#### STATEMENT OF WORKS BEING EXECUTED/IN HAND BY THE CONTRACTOR

SN	Name and place of work	Authority/agency for whom the work is being carried out.	Date of award and Agreement No. and date.

Date of completion (original/Actual)	Agreemental cost of work/likely cost.	Principal/technical features of work in brief.	S. No. at which relevant document are enclosed.	Payment taken till date.

#### **Signature of Contractor and seal**

## **Pre-Qualification Documents- Annexure-4**

Detail of Contractual payment received in the last four financial years and current financial year

SN	Name of work	Name of employer	Detail of payment	For the financial year	Total Contract amount received

**Signature of Contractor and seal**

## **Pre-Qualification Documents- Annexure-5**

LIST OF ENGINEERS/PERSONNEL ALREADY AVAILABLE/PROPOSED TOBE EMPLOYED FOR DEPLOYMENT ON THIS WORK:

s. No.	Name & Designation	Qualification	Professional Experience	Since when working with your organisation	Date by which personnel will be available for this work.	Employees provident Registration No. registered with EPFO
<b>1</b>	<b>2</b>	<b>3</b>	<b>4</b>	<b>5</b>	<b>6</b>	<b>7</b>

**Signature of Contractor and seal**



## **Pre-Qualification Documents- Annexure-6**

### **Details of Plant and Machinery, already available with the firm.**

SN	Particulars of equipment	No. of unit	Kind and make firm from which to be purchased/hire	Capacity	Date by which the plant would be available for use on this work.	Age and condition	Work on which it is being used.
1	2	3	4	5	6	7	8

**Signature of Contractor and seal**



## OFFICE OF THE CHIEF PROJECT MANAGER(MUMBAI)

U.P. STATE BRIDGE CORPORATION LTD.

LUCKNOW

### SECTION- 4 (PART – I)

### TERMS & CONDITIONS

- 01- The Tenderer should be registered in RDSO.
- 02- The Tenderer having an **working experience** not less than **05 years** for the same type of work in the government/semi government departments, will be eligible to submit the tender. The average annual turnover of the tenderer for last three financial years (2015-16 to 2017-18) should not be less than **Rs. 35 Crores (Thirty five Crores)** and must meet eligibility criteria of Clause 4.3 of IB otherwise the tender will be rejected. The experience certificates issued by the concerning departments should be attached with the tender.
- 03- The **Earnest money** will be deposited in the shape of Fixed Deposit Receipt/ Demand Draft/Bank Guarantee in favour of U.P. State Bridge Corporation Ltd, payable at NAVI MUMBAI. The tenders submitted without Earnest money shall stand rejected. EMD shall be valid up to 45 days from date of bid opening.
- 04- **Validity:** The Validity of the tender will be 90 days.
- 05- **Inclusive Price:** The price quoted in the tender shall be inclusive of cost of all materials, machineries, Fabrication, painting, labour charges, erection, launching, cartage, cost of required tests and all taxes.
- 06- **Escalation in Price:** The prices will remain firm in the entire period of the agreement. No escalation in prices for materials, labour, POL, etc. will be paid extra.
- 07- **Quantity variation:** The quantities mentioned in Bill of Quantities are tentative. Actual required quantity as per approved drawing at the time of execution will be done by contractor & payment shall be done by UPSBCL. As per actual measurement.
- 08- **Completion time:** The overall completion time shall be 3 months (90 Days) from the date of issue of award letter of the tender.
- 09- Schedule of work is a part of agreement.
- 10- **Terms of payment :-**

**The payment schedule is as under:-**

- a. (i) @30% of total contract value on procurement of full required quantity of steel at Factory/Site – The payment may be claimed in two installments' of 400.00 MT each. The Payment will be released on production of bills for purchase of steel as evidence on prorata basis. The Contractor will have to furnish Bank Guarantee for the same amount before receiving the payment on this account for as Clause (10) a,b,c,d.
- (ii) In lieu of above for material procurement, UPSBCLtd may provide material at factory or site directly from main producers.

UPSBCL will have full right to verify physically the availability of material at Factory/Site in good condition before releasing the payment on this account.

The contractor will use the steel for this work only – for which he has been paid as per sr no. 10(a) and this material will not be shifted from Factory/Site without permission of UPSBCL.

- b. @20% of total contract value after fabrication of composite steel girders on prorata basis.
  - c. @25% of total contract value after launching/Erection of composite steel girders on prorata basis.
  - d. @25% of total contract value after successful completion of work.
- 11- **The Earnest money** deposited with the tender will be converted in to security deposit which shall be released after 12 months on satisfactory completion and approved by UPSBC.
- 12- The successful Contractor will have to deposit security deposit @ 5% of Tender Cost in the shape of Demand Draft / FDR before signing the agreement. Which shall be released after 12 months on satisfactory completion of work.
- 13- **Liquidated Damage :-** The work shall be completed strictly as per time limit specified in clause (8) failing to complete the work within this period will make the contractor liable to an unconditional penalty as follows:-
- a). 25% of the work shall be completed within 30 days other wise penalty of Rs 10,000/- per day will be imposed over the contractor.
  - b). 50% of the work shall be completed within 50 days otherwise Rs 15,000/- per day penalty shall be imposed over the contractor.
  - c). 75% of the work shall be completed within 70 days other wise Rs 20,000/- per day penalty shall be imposed over the contractor.
  - d). 100% of the work shall be completed up to 90 days from the start of work other wise penalty of Rs 25,000/- per day shall be imposed over the Contractor subject to the maximum 10% of the contract value.
- 14- **Delivery :-**
- a. The Contractor will have to mobilise /deploy the required machines/man power at site within one week from the date of signing the agreement otherwise the earnest money submitted by the tenderer will be forfeited.
  - b. If the contractor does not achieve the required progress as per schedule given by UPSBCL. , The contract will be terminated and UPSBCL. will have full right to award the work at any stage to other contractor for which no claim shall be entertained. The extra expenditure borne by UPSBCL. shall be recovered from bills/dues of the contractor.
- 15- **Insurance /safety :-** The Contractor will have to follow all safety measures for machines /manpower engaged for work at site . In case of any damage , UPSBCL. will not be responsible and no claim Shall be entertained in this regard.
- 16- **Settlement of Dispute :-** In all case any dispute arising out of the agreement or related to any matter thereto whether during or after expiration of the agreement shall be referred to the sole arbitration of any person to be nominated by the " Managing Director." U.P. State Bridge Corporation Ltd, Lucknow. The award of the arbitrator shall be final and binding on the both parties.
- 17- **Jurisdiction :** All questions, disputes of differences arising out of or in connection with the contract shall be subject to the exclusive jurisdiction of the court within the local limits of whose jurisdiction the place from which acceptance of the tender is issued is situated.
- 18- **Inspection :-** The UPBCL reserves the right to visit places of production suppliers and works site for periodic inspection in respect of this contract in his own cost. Such inspection will normally be during the normal working hours. The contractor shall

extend all necessary co-operations to the representatives of UPSBCL. during such visits. The inspections shall not absolve the system supplier from their responsibilities in respect of quality/workmanship/rejections etc. in respect of this contract.

19- **Income tax** : income tax will be deducted from bills as per rules.

20- **Compliance with rules for employment of labour:-**

a. The contractor shall comply with all laws, bye-laws, rules and regulations in force , pertaining to employment of local or imported labour , and shall take all necessary precautions to ensure and preserve the health and safety of all staff/workmen, employed on the works directly or through petty Contractor or sub-contractor.

b. **Medical facilities at site :-**The Contractor shall, at his own cost, provide first aid and medical facilities at site as may be necessary.

c. **Wages of Labour :-** In dealing with labour and employees, the contractor and his sub-contractors (including piece rate and petty contractor) shall comply fully with all laws and statutory regulations.

21- **Land for office and fabrication yard/store/assembly yard etc:** Land available at site can be used free of cost for setting up of office and store/assembly yard etc. However, UPSBCL. will not be responsible for delay in execution of work for non-availability of land. If additional land is required for executions of the work, then the same has to be arranged by the tenderer at his own cost. All fabrication works shall be done in RDSO approved premises only.

22- **Water Electricity & other amenities :-**

a. Contractor shall have to make his own arrangement for water , electricity and other amenities for the purpose of construction work as well as for workers at his own expenses and make payment directly to the concerned department

b. The Contractor or his Project Manager should always be available at the work site to take instructions from departmental officers and ensure proper execution of work

23- **The conditional tenders** will not be accepted.

24- **UPSBCL reserves the right** to cancel the tenders in part or full without assigning reason.

25- The contractor will have to furnish invoice in proper manner. The same will be paid after due verification of Engineer-in-charge on availability of funds.

Payment will be made through RTGS & Account payee Cheque only. The contractor will have to furnish details of Bank Account along with a cancelled cheque for this purpose.

26- **Force Majeure:-** Neither party shall be liable to the other for delay or failure to perform its obligations due to causes beyond its reasonable control including , but not limited to , fire , flood and other natural calamities of acts of God , riots , war of any

other civic/social and political unrest, strikes or lockouts or other labour disputes (not created by the parties) any action taken by the government of India or State Government through legislation or other wise.

- 27- If there is any increase/decrease/imposition of new tax/removal of existing tax by Central Govt/State Govt/Local bodies in respect to any of the tax mentioned above. The same shall be borne by the contractor and neither any additional payment will be made, nor any recovery will be made on this account. This should also be kept in view before tendering, as no subsequent changes will be made in the rates payable to the contractor on this account.

**For U.P. State Bridge Corporation Ltd.**

**Tenderer**

**Chief Project Manager(Mumbai)**



## OFFICE OF THE CHIEF PROJECT MANAGER(MUMBAI)

U.P. STATE BRIDGE CORPORATION LTD.

LUCKNOW

### **SECTION- 4 (PART – II)** **TECHNICAL SPECIFICATIONS**

#### **1. Books of Reference**

- (i) IR Specification for Fabrication of steel girder bridge & Locomotives turn tables - (fabrication specification) SERIAL No. BI- issued by RDSO
- (ii) IS-800- 1998/ or latest revision.
- (iii) All IS & IRS specifications mentioned in RDSO Booklet Serial No. BI-2001.
- (iv) General Conditions of Contract – 1999 of Northern Railway.
- (v) Indian Railway standard Code of Practice for Metal Arc Welding in Structural steel Bridges carrying Rail, Rail cum Road or Pedestrian Traffic/ Revision 2001.
- (vi) IS:2062-2006 (Latest version) Specification for structural steel.
- (vii) **The amendments (latest version) issued from time to time in this regards shall also be followed by the contractor.**

#### **2. Drawing:**

- (i) Basic Drawing will be issued by UPSBCL.- Attached with tender documents.
- (ii) The final Drawing will also be provided by UPSBCL. issued by IPRCL

3. **Launching /erection scheme / arrangement:-** Launching/erection scheme/ arrangement for erection of steel girder / structure members shall be prepared by the contractor which is to be got approved by consultant appointed by IPRCL.

4. **Maintenance Period:-** Contractor shall maintain all the works to the satisfaction of the UPSBCL for a period of twelve months after completion of all works of this contractor in all respects. Date of completion shall be same as recorded in measurement book for the final bill of the contract.

5. **Materials/Fabrication/Workmanship:-** Material and Fabrication workmanship shall comply with RDSO fabrication specification booklet SI. No. BI-2001 with latest correction slips.

#### **5.1 Material Specification:**

##### **(A) Structural steel**

All material used for fabrication should be procured from main manufacturers, which should be got approved by engineer in-charge. Structural steel should conform to IS 2062: 2006 grade E350 as per Drawing. Basic rate of material F.O.R. factory site shall be mentioned in tender BOQ (this is mandatory requirement)

- (i) Material should conform to Charpy V-Notch Impact Test at the Room temperature and at (-) 20 C (Minus twenty degree centigrade temperature) in accordance with IS 2062: 2006 or as directed/approved by the Engineer.
- (ii) Material should conform to Chemical composition test bend test and tensile test in a accordance with IS 2062:2006 or as directed/approved by the Engineer.

- (iii) It shall be of copper bearing quality in terms of IS 2062: 2006, as per RDSO approved drawing and amended up to date.

## **5.2 Fabrication and Manufacturing:-**

- (i) The whole work shall be representative of the highest class of workmanship. The greatest accuracy shall be observed in the design, manufacture and erection of every part of the work to ensure that all parts will fit accurately together on erection of and similar parts shall be strictly interchangeable.
- (ii) The contractor shall maintain steel tapes of approved make for which he must have obtained a certificate of accuracy from any National Test House or Govt. recognized institution competent to do so.
- (iii) Rolled materials before being laid off or worked, must be made straight. If straightening or flattening is necessary it shall be done by method that will not damage the material. Material having sharp kinks and bends will be rejected.
- (iv) **Tolerance-** The tolerance on fabrication shall be in accordance with as mentioned in **Appendix – II of RDSO's booklet B-1 -2001**
- (v) Fabrication records – The records of fabrication shall be maintained in the register as per format given in Appendix-I of RDSO's Booklet B-1 -2001 or as specified by the Engineer.
- (vi) **Flattening and straightening** – All steel materials, plates, bars and structures shall have straight edges, flat surfaces and be free from twist. If necessary, they shall be cold straightened or flattened by pressure before being worked or assembled unless they are required to be of curvilinear form, Pressure applied for straightening or flattening shall be such as it would not injure the material and adjacent surfaces or edges shall be in close contact or at uniform distance throughout.
- (vii) Flattening or straightening under hot condition shall not be carried out unless and until authorized and approved by inspecting officer/agency and Railways.
- (viii) The contractor may fabricate the steel work at his workshop at the site of the work or at any of his other workshops. The tenderer must inspect the approach roads right up to/from site of the workshop and should ensure that it would be possible for him to transport the materials by Road. **The site, Layout and details/composition of the workshop(s) for fabrication must be passed/approved by Engineer/ Inspection agency as authorized by U.P.S.B.C. Ltd. before commencing fabrication works.**
- (ix) The responsibility of custody of the UPSBCL materials, in Contractor's site workshop will remain with contractor till the completion of work and then handed over to the UPSBCL, after completion of work.
6. **Templates:** The templates, through out the work, shall only be of steel, The templates must be used for cutting of materials machining of girder members and used for making of drilled holes.
7. **Camber:** Camber shall be as per approved drawings and/or as contained in Clause 34 of IRS Fabrication specification Serial No. IRS-BI-2001 issued by RDSO.
8. **Rivets & Riveting , Bolts, Nuts, & Washer** : As per IR Fabrication specification Serial No. IRS-BI-2001 issued by RDSO.
9. **Welding:** As per IR Fabrication specification Serial No. IRS-BI-2001 issued by RDSO.

10. **Alterations in the work:** As per IR Fabrication specification Serial No. IRS-BI-2001 issued by RDSO.
11. **Erection & Equipment:** As per IR Fabrication specification Serial No. IRS-BI-2001 issued by RDSO.
12. **Erection of Open Web Girder SPA:** As per IR Fabrication specification Serial No. IRS-BI-2001 issued by RDSO.
13. **Handling & Storage of Material:**
- (1) The material, on receipt at site =, shall carefully unloaded, examined for defects, checked, sorted and stacked securely on level bed out of danger form flood or tide, and out of contact with water or ground moisture.
  - (ii) Any material found damaged or defective shall be stacked separately and the damage or defective portion be painted in distinctive colour. Such material is to be dealt with under the orders of Engineer without delay.
  - (iii) Care must be taken to see that parts at site are available in proper section.
14. **Scheme of Launching:**
- (i) Detailed launching drawings/ schemes based on the approved structural and fabrication (shop) drawings shall be developed by the contractor at their own cost and the same will be submitted after proof checking from the reputed Institutions/Consultants. Some of the reputed consultants are listed below:-
    - a) IIT, Delhi / Roorkee./Mumbai
    - b) RITES Ltd.
    - c) Reputed Cosultant approved by MORTH.
  - (ii) The detailed launching scheme after proof checking from reputed institutions /consultant shall be submitted to Engineer for approval. Entire cost of proof checking, alteration/ modification/ strengthening of members/joints etc. shall be borne by contractor. Rate quoted by Contractor for different items should include this aspect. Contractor will have to check the design of the members of the girders/truss and if any modification/alteration/strengthening of any member is required for any additional stresses, the same shall be done by the contractor at his own cost.
  - (iii) **Nomination of the Institution/Consultant for proof checking works will be approved/decided by U.P.S.B.C. Ltd.** Engineer will make all efforts to approve the drawings submitted by the contractor within reasonable time but no claim for any delay on this account shall be entertained by Engineer.
  - (iv) For Engineer's use and record, the contractor shall supply free of charge, four sets of prints on strong paper and one set of neatly executed tracings of all approved detailed drawings and fabrication drawings, soon after communication of approval, for use at site.
15. All requisite testing of raw material & fabricated items shall be done as per relevant B.I.S. Code and specification.

**For U.P. State Bridge Corporation Ltd.**

**Tenderer**

**Chief Project Manager (Mumbai)**





**OFFICE OF THE CHIEF PROJECT MANAGER(MUMBAI)**  
U.P. STATE BRIDGE CORPORATION LTD.  
LUCKNOW

**SECTION- 4 (PART – III)**

**BILL OF QUANTITIES PREAMBLE**

1. The Bill of Quantities shall be read in conjunction with the instructions to Bidders, Conditions of Contract, Specifications and Drawings.
2. For the construction of works, the quantities given in the Bill of Quantities are estimated, and are given to provide a common basis for bidding. The basis of payment will be the actual quantities of work ordered and carried out, as measured by the Contractor and verified by the Engineer and valued at the rates and prices tendered in the Bill of Quantities in the case of item rate tenders.
3. The rates and prices tendered in the priced Bill of Quantities shall, except in so far as it is otherwise provided under the Contract, include all constructional plant, labour, supervision, materials, erection, maintenance, insurance, profit, taxes and duties, together with all general risks, liabilities and obligations set out in the Contract.
4. Arithmetic errors will be corrected by the Employer.

**For U.P. State Bridge Corporation Ltd.**

**Tenderer**

**Chief Project Manager(Mumbai)**



**OFFICE OF THE CHIEF PROJECT MANAGER (MUMBAI)**  
**U.P. STATE BRIDGE CORPORATION LTD.**  
**LUCKNOW**

**SECTION- 5**  
**BILL OF QUANTITIES**

Sl. No.	Name of Work	Unit	Qty.	Rate in Rs.	
				In Figure	In Words
1.	<p>Providing steel girders duly launched in position on piers/abutments as per drawing with contractor's steel of <b>grade E-350</b> &amp; quality as per IRS: B1-2001 along with up to date A&amp;Cs, duly tested including fabrication, assembly, erection, launching etc. as per QAP approved by RDSO. Rate shall include all activities for delivering the end product except bearings, galvanising and painting of girder components including surface preparation, Charpy test, steel channel/ H beam sleepers, chequered plate pathways, and railings, which shall be paid separately under relevant items.</p> <p>Note: Payment to be made in stages as per RVNL standard specifications Vol I, Part: A-Chapter 3 "Bridges" (h) Steel Works Clause 8.2, para 8.2.2 along with up to date A&amp;Cs</p>	MT	800		
Note	<p>Quoted rates for above shall include.</p> <p>(i) Metalizing girder/girder components such as cross girders, top chord channels, bracing etc. of Steel Girder as directed by Engineer with aluminium spray not less than two layers after preparing surface by sand/grit blasting as per provision laid in Appendix VI of IRS B 1179 code (latest alteration) including one coat wash primer (IS-5666) one coat zinc chrome primer (IS-104) and two coats of aluminium paint (IS-2339) with approved paint conforming to IS specification for fabrication &amp; erection of steel girder bridge (RS B 1-79) as corrected up to date with contractor's own materials, tools, plants labour, loading/unloading, transportation, handling, re-handling if any including all lead, lifts, crossing of track/ obstruction etc. complete in all respect and as per direction of Engineer in charge.</p> <p>(ii) Supplying, providing, welding of Stud shear connector (minimum yield stress of 385N/mm<sup>2</sup>, a minimum tensile strength of 495N/mm<sup>2</sup> and a minimum elongation of 15% prior to the cold formation of the head) by stud arc welding method with flange of steel girder as per designed parameters. The studs and the surface to which the studs are welded shall be free from scale and rust, metal spray, grease, oil, paint or other material which would affect the quality of the weld. Stud shear connectors shall conform to property class SD1 of BSEN ISO 13918:2008 and shall be subjected to the Ringtest &amp; Bend test as per EN54006. Rate include transporting the material at all height including fixtures, back up supports, accessories, including loading, unloading, lift and taxes complete. Trained personnel shall carryout the welding of Stud shear connector. Guidelines as</p>				

	per IRSB-1 (latest version) BSEN ISO 13918:2008 & BS-5400 to be followed. Summary of BSEN ISO 13918:2008 provisions have been enclosed as special specifications.				
(iii)	Supplying, providing, tightening of all types of High strength frictional grip (HSFG) bolts, nuts & washers/DTI washers conforming to IS:4000:1992, IS3757:1985 (reaffirmed 2003), IS6623:2004 & IS6649 having property class 8.8/10.9 as decided by Engineer incharge, diameter preferred / non preferred sizes, length as desired / designed with coating consisting of Zinc phosphate as per IS1367(Pt-XII) in all type of steel girder Road/Rail. Rate include tightening of all the types of HSFG bolts at stress level as per IS:4000, at all height including fixtures, back up supports, accessories, transporting to site, including loading, unloading, lift and taxes complete. Trained personnel shall carry out the tightening / installation of HSFG bolts. For HSFG bolts, minimum two washers shall be provided, one DTI & one plain washer. Guidelines as per IRSB-1 (latest version) & RDSO report no. BS-111 (Revision2) to be followed. Summary of BS 111(Rev2) provisions have been enclosed as special specifications.				

Basic rate of E350 grade F.O.R. Bridge site including all activities for completion of job = Rs. ....

**For U.P. State Bridge Corporation Ltd.**

**Tenderer**

**Chief Project Manager(Mumbai)**



**OFFICE OF THE CHIEF PROJECT MANAGER(MUMBAI)**

U.P. STATE BRIDGE CORPORATION LTD.  
LUCKNOW

**SECTION- 6**

**SCHEDULE OF WORK**

Sl. No.	Item	Period	Percentage
1	Supplying of all types of structural steel conforming to E350 of IS:2062, fabrication, assembling, erection/ slewing / end launching of steel girders (requiring traffic block) upto40.00 M span on sub-structure incl. provision of trolley refuges, if reqd. complete as per approved drawing incl. metallising as per NOTE (i) below as per IRS-B-1 on all members, (Detailed fabrication and erection drawings & launching methodology will be prepared and got approved by the contractor from Railway). Rate include fabrication of all the types of battens, bracings, ties, stiffeners, packing, diaphragms, shop rivets / welding, T&F bolts, drifts, shop welds, templates, jigs, fixtures, back up supports, accessories, transporting various components from fabrication shop. to site, including loading, unloading, lift and all taxes complete. Assembly of girders on-drifts/ bolts, field riveting/welding, assembling of temporary support for side slewing, raising of girders to the bed block level, providing sliding arrangements and slewing the girder in position, lowering of girder on bearings and bed plates. Grouting holes in the bed block for fixing of HD bolts / anchor pins of bedplates, all temporary arrangements.		
2	Metallising girder/girder components such across girders, stiffeners, bracing etc. of new steel girder as directed by Engineer with aluminum spray notless than two layers after preparing surface by sand/gritblasting (as per clause3 of IS6586 & appendix A of IS:5905) as per the provisions laid in Appendix VII of IRSB12001 specifications (with latest correction slips) with contractor's own material, tools, plants, labour, loading, unloading, transportation, handling, rehandling required if any, including all lead, lift, descents, crossing of tracks/obstructions etc. complete in all respect and asperdirection of Engineer in charge. Aluminum spray used for metallising shall have 99.5% Aluminum composition conforming to IS:2590. Wire methodshall be used for metallising and diameter of wire shall be 3mm or 5mm. Specified thickness of coating shall be applied inmultiple layers and in no case less than two passes of metal spraying shall be made over every part of thesurface.Atleast one layer of coating shall be applied within fourhours of blasting and surface must be completely coated within8hoursof blasting.The nominal thickness of the coating shall be150micron and surface of sprayed coating shall be of uniform texture and free from lumps,coarse areas and loosely adherent particles.Work shall be executed as per provisions of Appendix-VIIof IRS-B1 2001and provisions contained in chapter 21 of Indian Railway Unified standard specifications.	90 days	100%
3	Supplying, providing, welding of Stud shear connecter		

	<p>(minimum yield stress of 385N/mm<sup>2</sup>, a minimum tensile strength of 495N/mm<sup>2</sup> and a minimum elongation of 15% prior to the cold formation of the head) by stud arc welding method with flange of steel girder as per designed parameters. The studs and the surface to which the studs are welded shall be free from scale and rust, metal spray, grease, oil, paint or other material which would affect the quality of the weld. Stud shear connectors shall conform to property class SD1 of BSEN ISO 13918:2008 and shall be subjected to the Ringtest &amp; Bend test as per EN54006. Rate include transporting the material at all height including fixtures, back up supports, accessories, including loading, unloading, lift and taxes complete. Trained personnel shall carry out the welding of Stud shear connector. Guidelines as per IRSB-1 (latest version) BSEN ISO 13918:2008 &amp; BS-5400 to be followed. Summary of BSEN ISO 13918:2008 provisions have been enclosed as special specifications.</p>		
4	<p>Supplying, providing, tightening of all types of High strength frictional grip (HSFG) bolts, nuts &amp; washers/DTI washers conforming to IS:4000:1992, IS3757:1985 (reaffirmed 2003), IS6623:2004 &amp; IS6649 having property class 8.8/10.9 as decided by Engineer incharge, diameter preferred / non preferred sizes, length as desired / designed with coating consisting of Zinc phosphate as per IS1367(Pt-XII) in all type of steel girder Road/Rail. Rate include tightening of all the types of HSFG bolts at stress level as per IS:4000, at all height including fixtures, back up supports, accessories, transporting to site, including loading, unloading, lift and taxes complete. Trained personnel shall carry out the tightening / installation of HSFG bolts. For HSFG bolts, minimum two washers shall be provided, one DTI &amp; one plain washer. Guidelines as per IRSB-1 (latest version) &amp; RDSO report no. BS-111 (Revision2) to be followed. Summary of BS 111(Rev2) provisions have been enclosed as special specifications.</p>		

**For U.P. State Bridge Corporation Ltd.**

**Tenderer**

**Chief Project Manager(Mumbai)**



**OFFICE OF THE CHIEF PROJECT MANAGER (MUMBAI)**  
U.P. STATE BRIDGE CORPORATION LTD.  
LUCKNOW

## **SECTION- 7**

### **UNDERTAKING BY TENDERER**

We have read the Technical specifications of N.I.T. and understood. We undertake to execute the work as per Terms and condition bid.

We assure to execute the work with quality as per technical specification of MORTH, and IRC/ BIS.

**For U.P. State Bridge Corporation Ltd.**

**Tenderer**

**Chief Project Manager(Mumbai)**

**SAMPLE FORMAT FOR EVIDENCE OF ACCESS TO OR AVAILABILITY OF CREDIT FACILITIES**

**BANK CERTIFICATE**

This is to certify that M/S .....is a reputed company with a good financial standing.

If the contract for the work, namely, ..... is awarded to the above firm, we shall be able to provide / have already provided overdraft/credit facilities to the extent of Rs. .... to meet their working capital requirements for executing the above contract.

Signature of Senior Bank Manager .....

Name of the senior Bank Manager .....

Address of the Bank.....

Stamp of the Bank

Note: Certificate should be on the letterhead of the bank.

# **BANK GUARANTEE**

To,

**Chief Project Manager(Mumbai)  
U.P. State Bridge Corporation Ltd.**

WREREAS ..... (Hereinafter called "the Contractor") has undertaken, in pursuance of Contract No. .... Dated .....to execute ..... herein after called "The Contract"

AND WHEREAS it has been stipulated by you in the said contract that the contractor shall furnish you with a bank guarantee by a Nationalized Bank for the sum specified therein as security for compliance with his obligations in accordance with the Contract,

AND WHEREAS we have agreed to give the Contractor such a Bank Guarantee;

NOW THEREFORE we hereby affirm that we are the Guarantor and responsible to you on behalf of the Contractor, up to a total of Rs..... (.....), such sum being payable in the types and proportions of currencies in which the Contract price is payable, and we undertake to pay you, upon your first written demand and without cavil or argument, any sum or sums within the limits of Rs..... (.....) as aforesaid without your needing to prove or to show grounds or reasons for a demand for the sum specified therein.

We hereby waive the necessity of your demanding the said debt from the Contactor before presenting us with the demand.

We further agree that no change or addition to or other modification of the terms of the Contract or of the Works to be performed there under or of any of the Contract documents which may be made between you and the Contractor shall in anyway release us from any liability under this guarantee, and we hereby waive notice of any such change, addition or modification.

This Guarantee shall be valid upto .....

"Not with standing any thing contained herein"

1. Our liability under the bank guarantee shall not exceed Rs. .... (.....)
2. This bank guarantee shall be valid up to .....

We are liable to pay the guaranteed amount or any part thereof under this bank guarantee only and only if you serve upon a written claim or demand on or before ..... (Date of expiry of guarantee)

Signature and seal of the guarantor .....

Name of Bank .....

Address .....

Date .....



## **PERFORMANCE GUARANTEE**

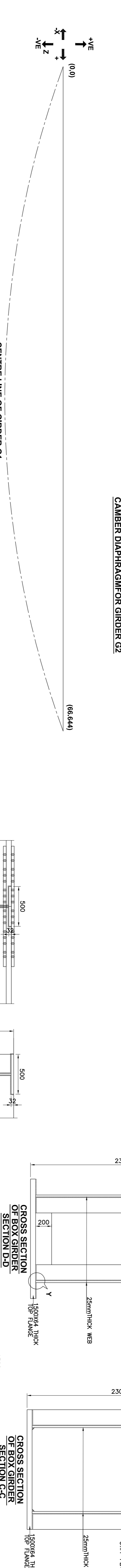
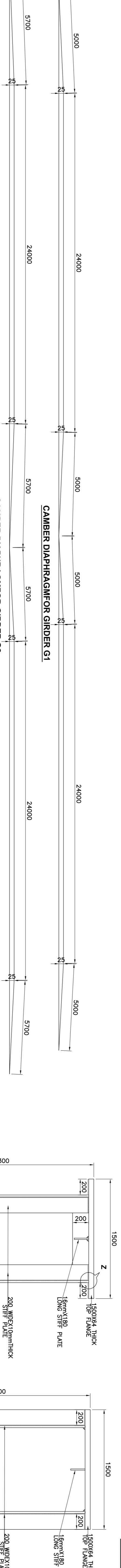
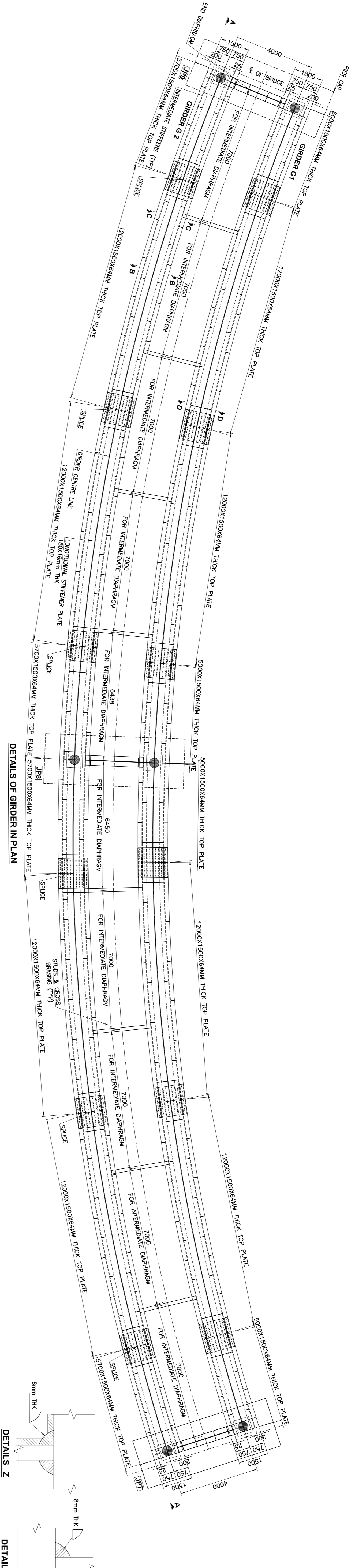
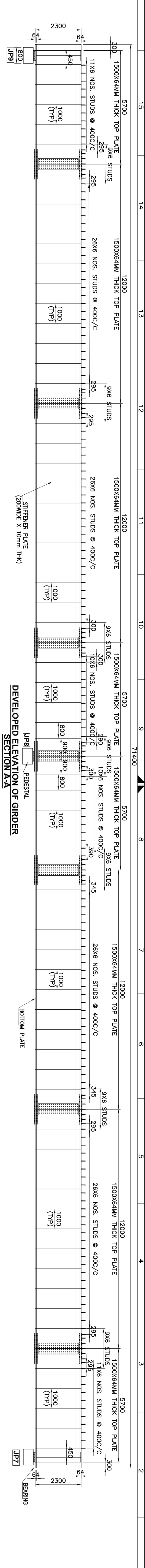
(Affidavit to be submitted on Rs 100 Stamp Paper)

We hereby guarantee to rectify all defects arising due to material, manufacture, workmanship or construction in the work of Steel Girder at ..... within a period of 10 years from the date of opening of traffic under normal loading, Normal Traffic and Routine Maintenance.

We also stand guarantee for the free repair and replacement in part or full if any defect is found in any part of Steel Girder within a period of 10 Years from the opening of traffic except for defect arising out of the pilferage, war, flood, earthquake or any other natural calamity etc. over which we have no control.

**SIGNATURE WITH STAMP/SEAL**

**Please Enable Macros to View BoQ information**

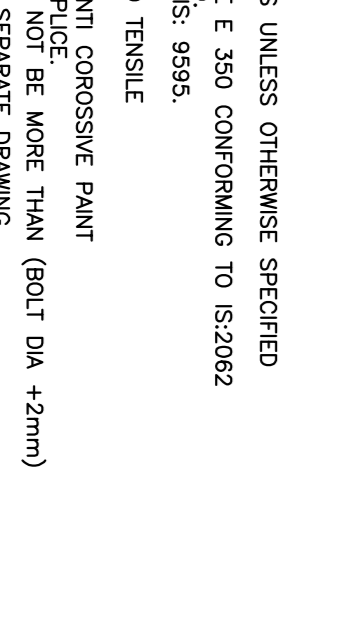
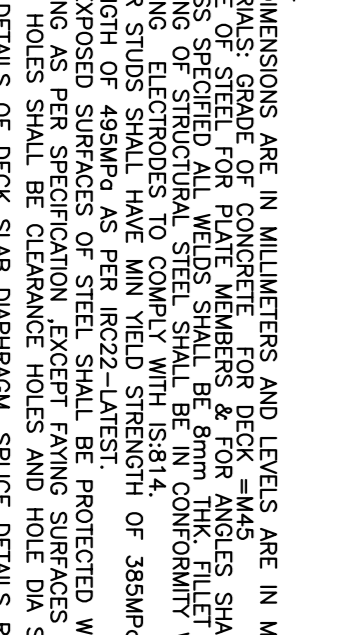
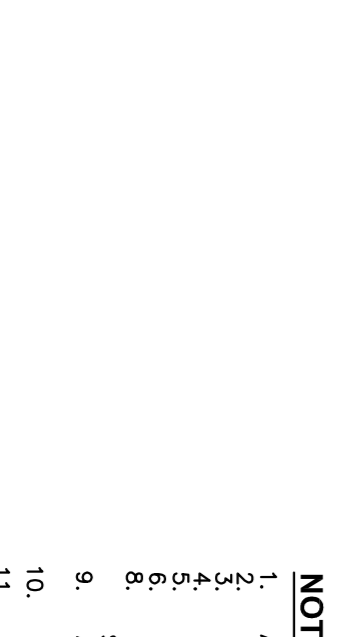
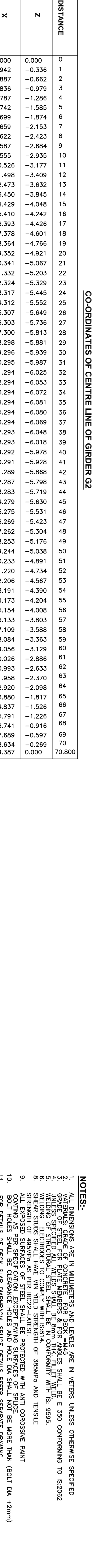


**CO-ORDINATES OF CENTRE LINE OF GIRDER G1**

DISTANCE	X	Z
0.000	0.000	0.000
0.942	1.888	-0.335
1.887	3.788	-0.661
2.836	5.701	-0.977
3.787	7.626	-1.283
4.742	9.561	-1.579
5.699	11.506	-1.866
6.659	13.461	-2.143
7.622	15.428	-2.410
8.587	17.407	-2.668
9.555	19.393	-2.915
10.526	21.381	-3.152
11.498	23.376	-3.380
12.473	25.376	-3.598
13.450	27.381	-3.805
14.429	29.393	-4.003
15.410	31.411	-4.191
16.393	33.436	-4.368
17.378	35.467	-4.536
18.364	37.503	-4.693
19.352	39.544	-4.841
20.341	41.591	-4.978
21.332	43.644	-5.105
22.324	45.703	-5.222
23.317	47.767	-5.329
24.312	49.836	-5.426
25.307	51.910	-5.513
26.303	53.989	-5.589
27.300	56.073	-5.655
28.298	58.162	-5.711
29.296	60.256	-5.757
30.295	62.355	-5.793
31.294	64.459	-5.819
32.294	66.567	-5.834
33.294	68.680	-5.839
34.294	70.797	-5.834
35.294	72.919	-5.819
36.294	75.046	-5.793
37.293	77.178	-5.757
38.293	79.315	-5.711
39.292	81.457	-5.655
40.291	83.604	-5.589
41.289	85.756	-5.513
42.287	87.913	-5.426
43.283	90.075	-5.329
44.279	92.242	-5.222
45.275	94.414	-5.105
46.269	96.591	-4.978
47.262	98.773	-4.841
48.253	100.960	-4.693
49.244	103.152	-4.536
50.233	105.350	-4.368
51.220	107.553	-4.191
52.206	109.771	-4.003
53.191	112.004	-3.805
54.173	114.251	-3.598
55.154	116.513	-3.380
56.133	118.789	-3.152
57.109	121.080	-2.915
58.084	123.385	-2.668
59.056	125.704	-2.410
60.026	128.037	-2.143
60.993	130.384	-1.866
61.958	132.745	-1.579
62.920	135.119	-1.283
63.880	137.506	-0.977
64.837	140.000	-0.661
65.791	142.500	-0.335
66.741	145.000	0.000
67.689	147.500	0.000
68.634	150.000	0.000
69.577	152.500	0.000

**CO-ORDINATES OF CENTRE LINE OF GIRDER G2**

DISTANCE	X	Z
0.000	0.000	0.000
0.942	0.000	-0.336
1.887	0.000	-0.662
2.836	0.000	-0.979
3.787	0.000	-1.286
4.742	0.000	-1.585
5.699	0.000	-1.874
6.659	0.000	-2.153
7.622	0.000	-2.423
8.587	0.000	-2.684
9.555	0.000	-2.935
10.526	0.000	-3.177
11.498	0.000	-3.409
12.473	0.000	-3.632
13.450	0.000	-3.845
14.429	0.000	-4.048
15.410	0.000	-4.242
16.393	0.000	-4.426
17.378	0.000	-4.601
18.364	0.000	-4.766
19.352	0.000	-4.921
20.341	0.000	-5.067
21.332	0.000	-5.203
22.324	0.000	-5.329
23.317	0.000	-5.445
24.312	0.000	-5.552
25.307	0.000	-5.649
26.303	0.000	-5.736
27.300	0.000	-5.813
28.298	0.000	-5.881
29.296	0.000	-5.939
30.295	0.000	-5.987
31.294	0.000	-6.025
32.294	0.000	-6.053
33.294	0.000	-6.072
34.294	0.000	-6.081
35.294	0.000	-6.080
36.294	0.000	-6.069
37.293	0.000	-6.048
38.293	0.000	-6.018
39.292	0.000	-5.978
40.291	0.000	-5.928
41.289	0.000	-5.868
42.287	0.000	-5.798
43.283	0.000	-5.719
44.279	0.000	-5.630
45.275	0.000	-5.531
46.269	0.000	-5.423
47.262	0.000	-5.304
48.253	0.000	-5.176
49.244	0.000	-5.038
50.233	0.000	-4.891
51.220	0.000	-4.734
52.206	0.000	-4.567
53.191	0.000	-4.390
54.173	0.000	-4.204
55.154	0.000	-4.008
56.133	0.000	-3.803
57.109	0.000	-3.588
58.084	0.000	-3.363
59.056	0.000	-3.129
60.026	0.000	-2.886
60.993	0.000	-2.633
61.958	0.000	-2.370
62.920	0.000	-2.098
63.880	0.000	-1.817
64.837	0.000	-1.526
65.791	0.000	-1.226
66.741	0.000	-0.916
67.689	0.000	-0.597
68.634	0.000	-0.269
69.577	0.000	0.000



**COMPOSITES COMBINE TECHNOCRATS PVT. LTD.**  
 202, New Bhagyasree C.H.S.,  
 M. Prudhvi Road, Mulund (E),  
 Mumbai - 400080  
 Telephone : 022-25633161  
 Email : compositescombine@ediffmail.com,  
 compositescombine@gmail.com.

**INDIAN PORT RAIL CORPORATION.**

**CONSTRUCTION OF ROB ALONG PORT ROAD TOWARDS SOUTH GATE AT JNP7.**

**DETAILS OF STEEL GIRDER FOR SPAN JP 7 TO JP 9. ( SHEET 1 OF 2 )**

DRG NO. 266-JNP-ROB-C-011 PROJECT NO. 266 REV. 0 SCALE N.T.S.

DATE 13/11/2018

U.F.K. T.J.N. M.A.L. 13/11/2018

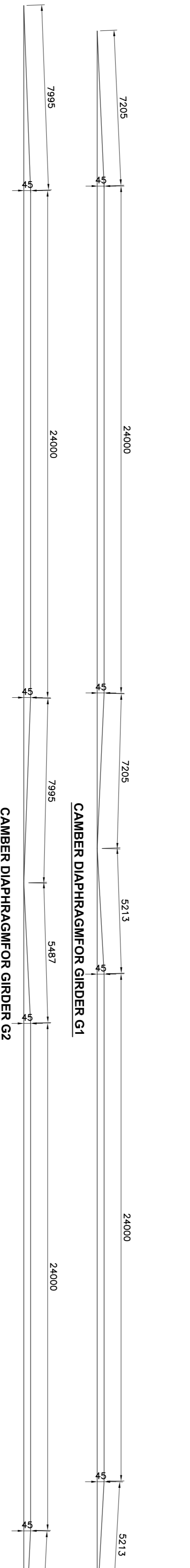
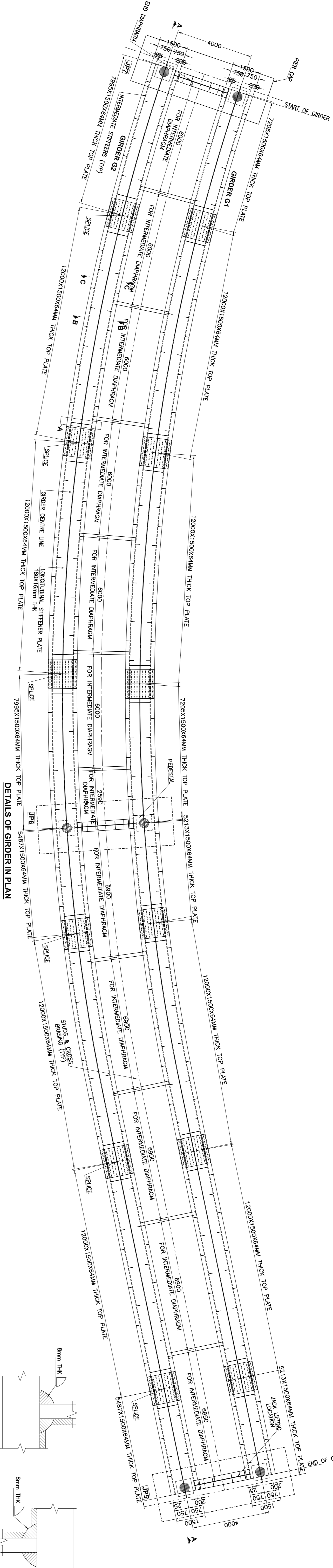
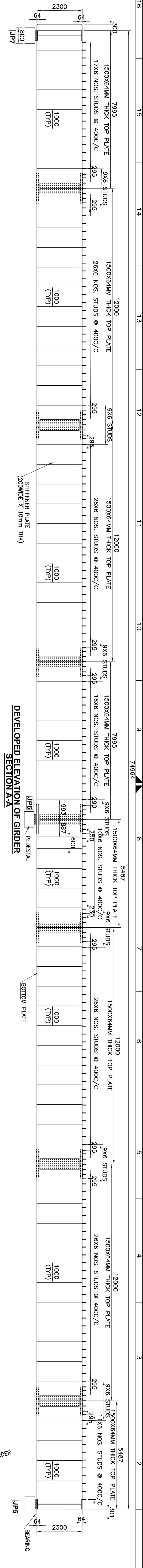
DEN BR. CHECKED BR. 12

DESCRIPTION 13

FOR APPROVAL 16

**ADVANCE COPY**



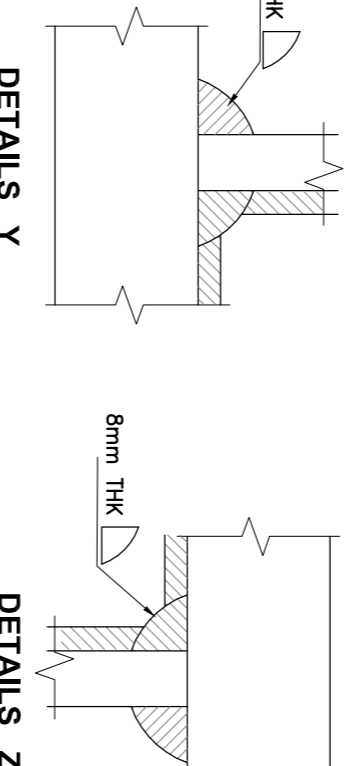
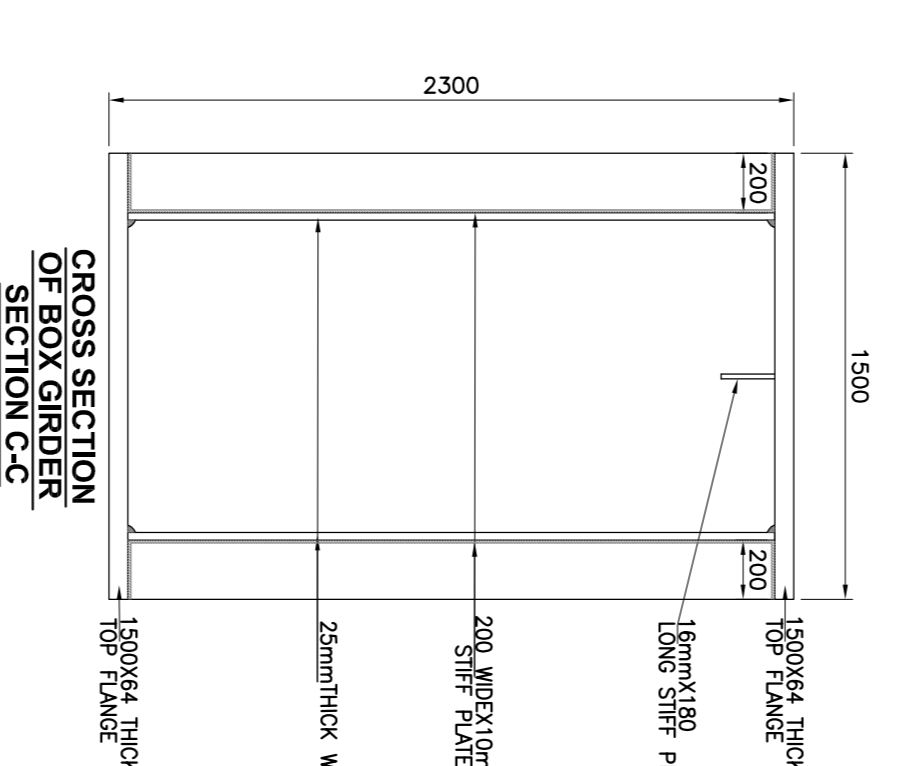
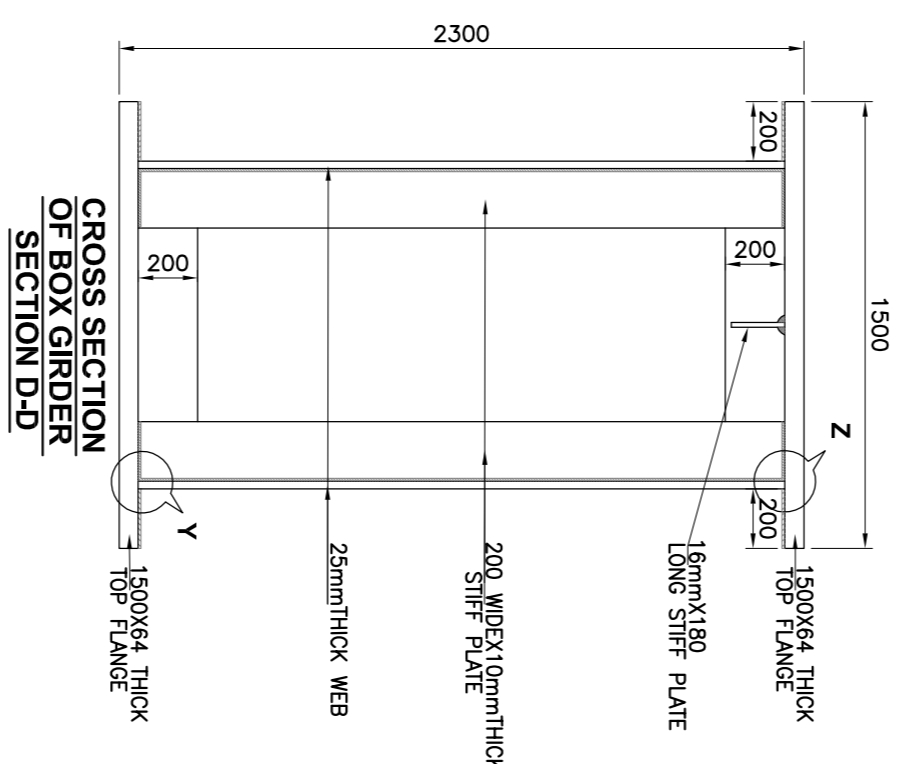
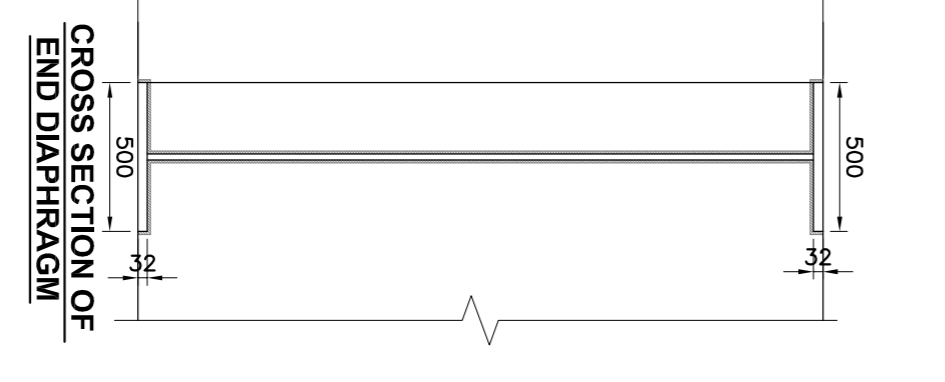
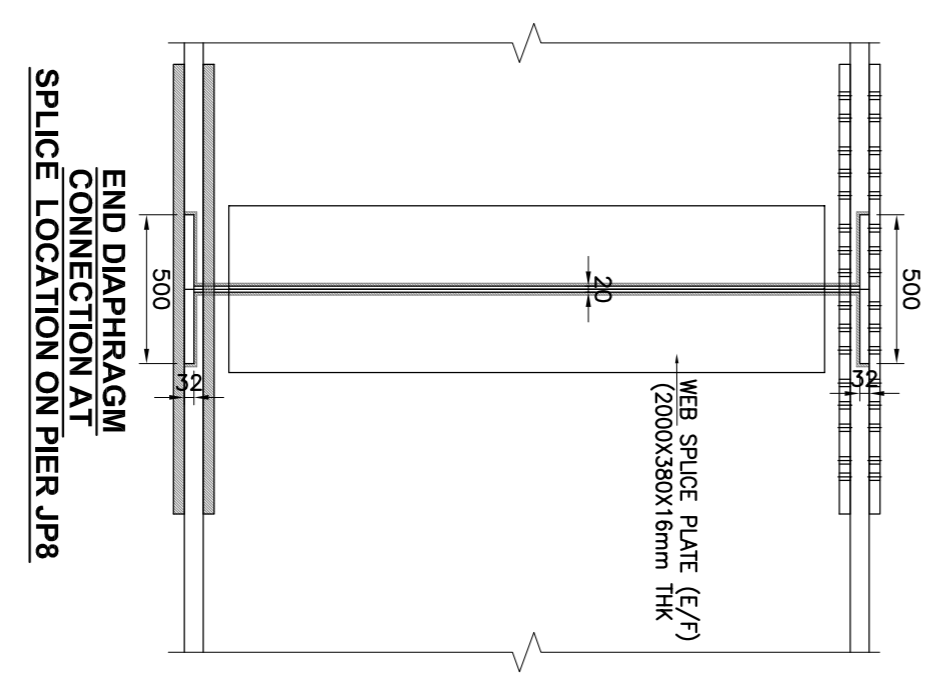


**CO-ORDINATES OF CENTRE LINE OF GIRDER G1**

DISTANCE	X	Z
0.000	0.944	0.000
1.893	-0.330	-0.650
2.842	-0.960	-1.261
3.797	-1.256	-1.552
4.754	-1.547	-1.833
5.714	-1.828	-2.104
6.676	-2.100	-2.366
7.641	-2.362	-2.617
8.609	-2.615	-2.859
9.579	-2.858	-3.091
10.551	-3.092	-3.313
11.525	-3.316	-3.525
12.502	-3.531	-3.727
13.481	-3.736	-3.919
14.461	-3.932	-4.101
15.444	-4.118	-4.273
16.428	-4.294	-4.434
17.414	-4.461	-4.586
18.402	-4.618	-4.728
19.391	-4.765	-4.859
20.382	-4.903	-4.981
21.373	-5.031	-5.092
22.366	-5.149	-5.193
23.360	-5.257	-5.284
24.356	-5.356	-5.365
25.352	-5.445	-5.436
26.348	-5.524	-5.496
27.346	-5.593	-5.546
28.344	-5.653	-5.586
29.343	-5.702	-5.616
30.342	-5.742	-5.636
31.342	-5.773	-5.645
32.342	-5.793	-5.643
33.341	-5.804	-5.635
34.341	-5.804	-5.624
35.341	-5.795	-5.603
36.341	-5.776	-5.571
37.341	-5.748	-5.529
38.340	-5.709	-5.478
39.339	-5.661	-5.426
40.337	-5.603	-5.365
41.335	-5.535	-5.294
42.332	-5.458	-5.213
43.328	-5.370	-5.122
44.323	-5.273	-5.021
45.318	-5.166	-4.910
46.311	-5.050	-4.789
47.303	-4.923	-4.658
48.293	-4.787	-4.517
49.283	-4.642	-4.366
50.271	-4.486	-4.205
51.257	-4.321	-4.034
52.242	-4.146	-3.853
53.224	-3.962	-3.662
54.206	-3.773	-3.461
55.188	-3.584	-3.250
56.170	-3.395	-3.029
57.152	-3.206	-2.808
58.134	-3.017	-2.587
59.116	-2.828	-2.366
60.098	-2.639	-2.145
61.080	-2.450	-1.924
62.062	-2.261	-1.703
63.044	-2.072	-1.482
64.026	-1.883	-1.261
65.008	-1.694	-1.040
66.990	-1.505	-0.819
68.972	-1.316	-0.598
69.954	-1.127	-0.377
70.936	-0.938	-0.156
71.918	-0.749	0.065
73.864	-0.560	0.286
75.811	-0.371	0.507
77.764	-0.182	0.728
79.714	0.000	1.000

**CO-ORDINATES OF CENTRE LINE OF GIRDER G2**

DISTANCE	X	Z
0.000	0.000	0.000
1.893	-0.328	-0.647
2.844	-0.956	-1.254
3.797	-1.256	-1.547
4.754	-1.547	-1.828
5.714	-1.828	-2.100
6.676	-2.100	-2.362
7.641	-2.362	-2.615
8.609	-2.615	-2.858
9.579	-2.858	-3.092
10.551	-3.092	-3.316
11.525	-3.316	-3.531
12.502	-3.531	-3.736
13.481	-3.736	-3.932
14.461	-3.932	-4.118
15.444	-4.118	-4.294
16.428	-4.294	-4.461
17.414	-4.461	-4.618
18.402	-4.618	-4.765
19.391	-4.765	-4.903
20.382	-4.903	-5.031
21.373	-5.031	-5.149
22.366	-5.149	-5.257
23.360	-5.257	-5.356
24.356	-5.356	-5.445
25.352	-5.445	-5.524
26.348	-5.524	-5.593
27.346	-5.593	-5.653
28.344	-5.653	-5.702
29.343	-5.702	-5.742
30.342	-5.742	-5.773
31.342	-5.773	-5.793
32.342	-5.793	-5.804
33.341	-5.804	-5.804
34.341	-5.804	-5.795
35.341	-5.795	-5.776
36.341	-5.776	-5.748
37.341	-5.748	-5.709
38.340	-5.709	-5.661
39.339	-5.661	-5.603
40.337	-5.603	-5.535
41.335	-5.535	-5.458
42.332	-5.458	-5.370
43.328	-5.370	-5.273
44.323	-5.273	-5.166
45.318	-5.166	-5.050
46.311	-5.050	-4.923
47.303	-4.923	-4.787
48.293	-4.787	-4.642
49.283	-4.642	-4.486
50.271	-4.486	-4.321
51.257	-4.321	-4.146
52.242	-4.146	-3.962
53.224	-3.962	-3.773
54.206	-3.773	-3.584
55.188	-3.584	-3.395
56.170	-3.395	-3.206
57.152	-3.206	-3.017
58.134	-3.017	-2.828
59.116	-2.828	-2.639
60.098	-2.639	-2.450
61.080	-2.450	-2.261
62.062	-2.261	-2.072
63.044	-2.072	-1.883
64.026	-1.883	-1.694
65.008	-1.694	-1.505
66.990	-1.505	-1.316
68.972	-1.316	-1.127
69.954	-1.127	-0.938
70.936	-0.938	-0.749
71.918	-0.749	-0.560
73.864	-0.560	-0.371
75.811	-0.371	-0.182
77.764	-0.182	0.000
79.714	0.000	0.000



- NOTES:-**
1. ALL DIMENSIONS ARE IN MILLIMETERS AND LENGTHS ARE IN METERS UNLESS OTHERWISE SPECIFIED
  2. MATERIALS GRADE OF CONCRETE FOR DECK = M45
  3. GRADE OF STEEL FOR PLATE MEMBERS & FOR ANGLES SHALL BE E 350 CONFORMING TO IS:2062
  4. WELDING OF STRUCTURAL STEEL SHALL BE IN CONFORMITY WITH IS: 9955.
  5. WELDING OF STRUCTURAL STEEL SHALL BE IN CONFORMITY WITH IS: 9955.
  6. STRENGTH OF 495MPa AS PER IS:2062 - LATEST
  7. STRENGTH OF 495MPa AS PER IS:2062 - LATEST
  8. ALL EXPOSED SURFACES OF STEEL SHALL BE PROTECTED WITH ANTI CORROSION PAINT
  9. ALL DIMENSIONS SHALL BE CLEARANCE DIMENSIONS UNLESS SPECIFIED OTHERWISE
  10. FOR DETAILS OF CRASH BARRIER REFER SEPARATE DRAWING.
  11. FOR DETAILS OF DECK SLAB DIAPHRAGM, SPICE DETAILS REFER SEPARATE DRAWING.
  12. LIFTING SHOULD BE DONE SIMULTANEOUSLY AT THE TWO JACKING LOCATION AT ONE END OF SPAN.
  - 13.

**COMPOSITES COMBINE TECHNOCRATS PVT. LTD.**

202, New Bhagyaashree C.H.S.,  
M. Prudhe Road, Mulund (E),  
Mumbai - 400080  
Telephone : 022-25633161  
Email : [compositescombine@ediffmail.com](mailto:compositescombine@ediffmail.com),  
[compositescombine@gmail.com](mailto:compositescombine@gmail.com).

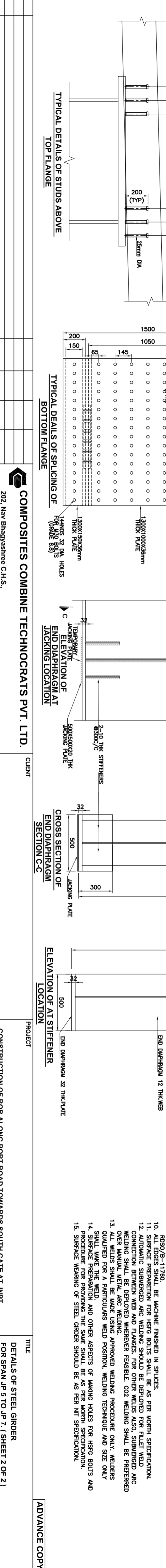
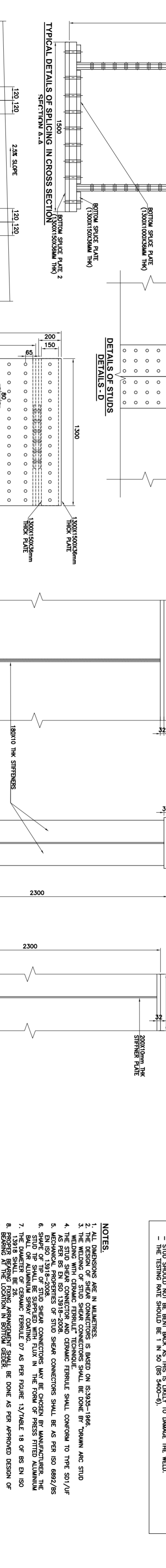
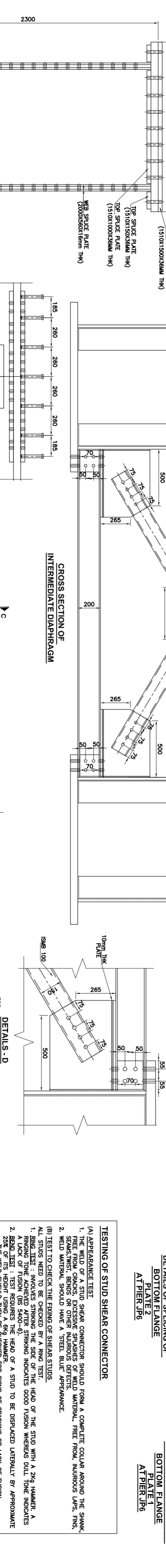
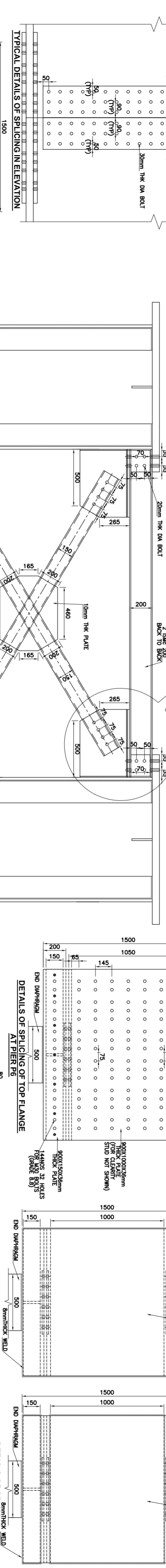
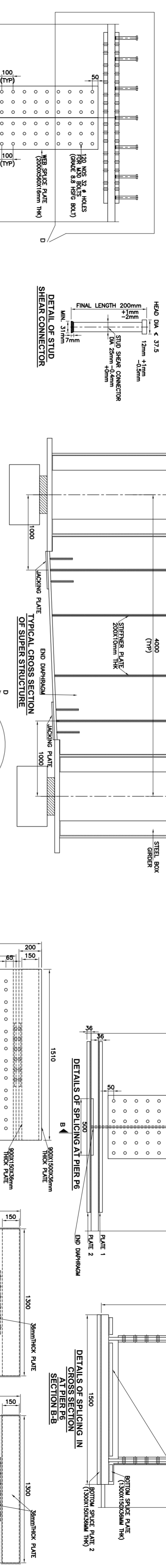
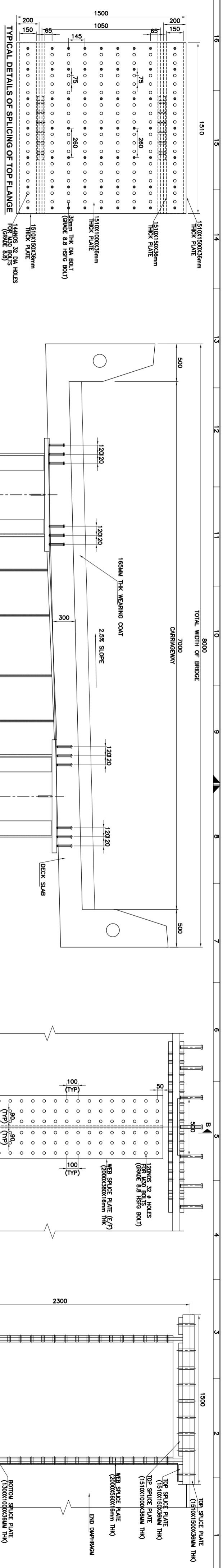
**INDIAN PORT RAIL CORPORATION.**

**CONSTRUCTION OF ROB ALONG PORT ROAD TOWARDS SOUTH GATE AT JNP7.**

**DETAILS OF STEEL GIRDER FOR SPAN JP 5 TO JP 7. (SHEET 1 OF 2)**

**ADVANCE COPY**

REV.	DESCRIPTION	DATE	U.F.K.	DEN BT	T.J.N	M.A.L	08.09.2018
0	FOR APPROVAL						



0	FOR APPROVAL	DESCRIPTION	DATE
1	FOR APPROVAL	DESCRIPTION	DATE
2	FOR APPROVAL	DESCRIPTION	DATE
3	FOR APPROVAL	DESCRIPTION	DATE
4	FOR APPROVAL	DESCRIPTION	DATE
5	FOR APPROVAL	DESCRIPTION	DATE
6	FOR APPROVAL	DESCRIPTION	DATE
7	FOR APPROVAL	DESCRIPTION	DATE
8	FOR APPROVAL	DESCRIPTION	DATE
9	FOR APPROVAL	DESCRIPTION	DATE
10	FOR APPROVAL	DESCRIPTION	DATE
11	FOR APPROVAL	DESCRIPTION	DATE
12	FOR APPROVAL	DESCRIPTION	DATE
13	FOR APPROVAL	DESCRIPTION	DATE
14	FOR APPROVAL	DESCRIPTION	DATE
15	FOR APPROVAL	DESCRIPTION	DATE
16	FOR APPROVAL	DESCRIPTION	DATE

**COMPOSITES COMBINE TECHNOCRATS PVT. LTD.**  
 202, New Bhayashree C.A.S.,  
 Mumbai - 400 081,  
 Telephone: 022-2653161  
 Email: compositescombine@rediffmail.com,  
 compositescombine@gmail.com,  
 compositescombine@gmail.com

**INDIAN PORT RAIL CORPORATION.**

**CONSTRUCTION OF ROB ALONG PORT ROAD TOWARDS SOUTH GATE AT JNPT.**

**DETAILS OF STEEL GIRDER FOR SPAN JP 5 TO JP 7. (SHEET 2 OF 2)**

DRG NO. 266-JP-ROB-C-004 PROJECT NO. 266 REV. 0 SCALE N.T.S.

**TESTING OF STUD SHEAR CONNECTOR**

(A) APPEARANCE TEST

1. THE WELD OF A STUD SHEAR CONNECTOR SHOULD FORM A COMPLETE COLLAR AROUND THE SHANK. FREE FROM CRACKS, EXCESSIVE SPATTERS OF WELD METAL, FREE FROM, INHOMOGENEOUS, FINS, SPATTERS AND OTHER DEFECTS.
2. WELD METAL SHOULD HAVE A "STEEL BLUE" APPEARANCE.

(B) TEST TO CHECK THE FIXING OF SHEAR STUDS

ALL STUDS NEED TO BE CHECKED BY A RING TEST.

1. RINGING TONE SHOULD BE HEARD AT THE HEAD OF THE STUD WITH A 3KG HAMMER. A RINGING TONE MORTIFIED AFTER STRIKING INDICATES GOOD FUSION WHEREAS DULL TONE INDICATES A LACK OF FUSION (BS 5400-6).
2. BEND TEST: TEST REQUIRES THE HEAD OF A STUD TO BE DISPLACED LATERALLY BY APPROXIMATE 25% OF ITS HEIGHT USING A 6KG HAMMER. THE HEAD OF STUDS OF CRACKING OR LACK OF FUSION - STUD SHOULD NOT BE BENT BACK AS THIS IS LIKELY TO DAMAGE THE WELD.
- THE TESTING RATE SHOULD BE 1 IN 50 (BS 5400-6).

- NOTES:**
1. ALL DIMENSIONS ARE IN MILLIMETRES.
  2. THE DESIGN OF STEEL SHEAR CONNECTORS IS BASED ON IS:3935-1986.
  3. THE WELDING OF STUD SHEAR CONNECTORS SHALL BE DONE BY TIG WELDING.
  4. WELDING WITH CERAMIC TERFLE GERMING TERFLE SHALL CONFORM TO THE SD/J/F AS PER BS EN ISO 13918-2:2008
  5. MECHANICAL PROPERTIES OF STUD SHEAR CONNECTORS SHALL BE AS PER ISO 6892/BS EN ISO 15613-2:2008
  6. STUD TIP SHALL BE SUPPLIED WITH FLUX IN THE FORM OF PRESS FITTED ALUMINIUM BALL OR ALUMINIUM SPRAY COATING.
  7. THE DIMENSION OF CERAMIC TERFLE 07 AS PER FIGURE 13/TABLE 18 OF BS EN ISO 6892/BS EN ISO 15613-2:2008 SHALL BE AS PER DRAWING NO. R950/B-11760.
  8. PROPER BEARING FIXING ARRANGEMENT SHALL BE DONE AS PER APPROVED DESIGN OF R950/B-11760.
  9. SURFACE PREPARATION FOR HESG BOLTS SHALL BE AS PER WORTH SPECIFICATION.
  10. ALL WELDS SHALL BE MADE USING APPROVED WELDING PROCEDURE AND SIZE ONLY.
  11. SURFACE PREPARATION FOR HESG BOLTS SHALL BE AS PER WORTH SPECIFICATION.
  12. AUTOMATIC SUBMERGED ARC WELDING SHOULD BE DELETED FOR FLEET WELD.
  13. ALL WELDS SHALL BE MADE USING APPROVED WELDING PROCEDURE AND SIZE ONLY.
  14. PROCEDURE FOR PROVIDING THE SAME SHALL BE AS PER WORTH SPECIFICATION.
  15. SURFACE WELDING OF STEEL ORDER SHOULD BE AS PER WIT SPECIFICATION.

ADVANCE COPY